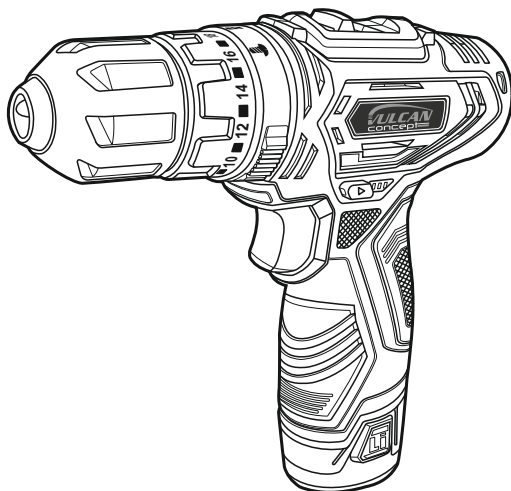


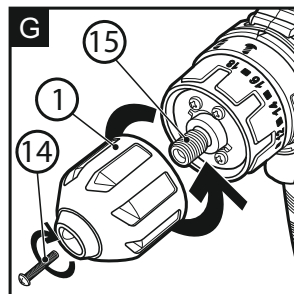
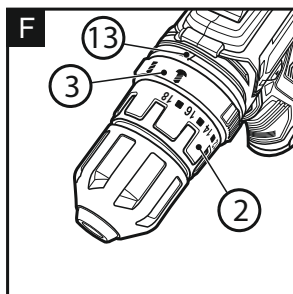
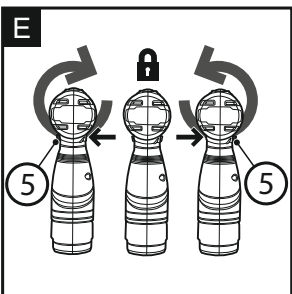
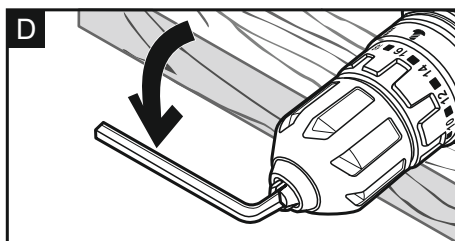
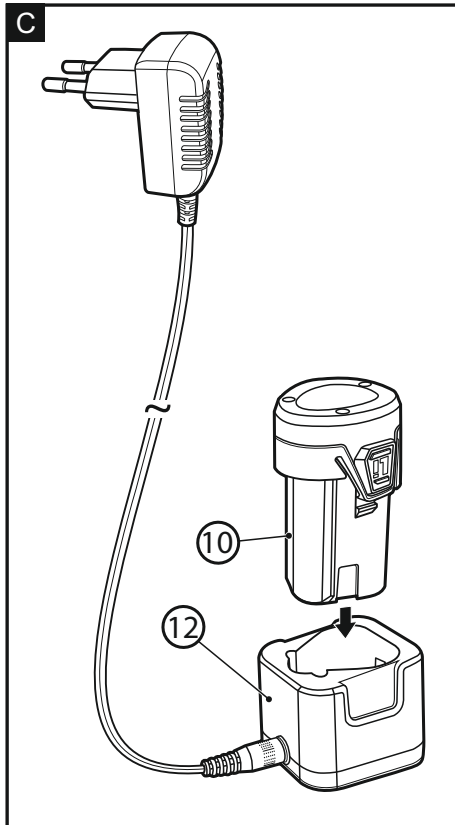
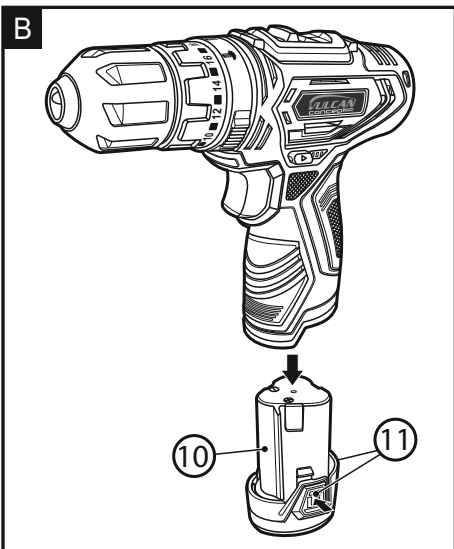
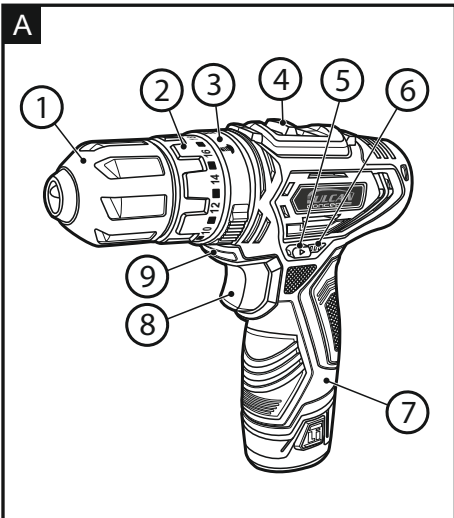
VULCAN

concept




VZV12

EN	Operating instruction	CORDESS DRILL/SCREWDRIVER	3
PL	Oryginalna instrukcja obsługi	WIERTARKO - WKREŃTARKA AKUMULATOROWA.....	9
RU	Инструкция по эксплуатации	АККУМУЛЯТОРНАЯ ДРЕЛЬ-ШУРУПОВЕРТ.....	15
RO	Instrucții de folosire	MAȘINA DE GĂURIT/ÎNȘURUBAT CU ACUMULATOR....	22
LV	Lietošanas instrukcija	AKUMULATORU URBJMAŠĪNA-SKRŪVJGRIEZĒJS	28
CS	Návod na obsluhu	VRTACÍ AKU ŠROUBOVÁK	34
HU	Használati utasítások	AKKUMULÁTOROS FŰRÓ-CSAVARÓZÓ	40
LT	Naudojimo instrukcija	AKUMULIATORINIS GRĘŽTUVAS-SUKTUVAS	46



EN**OPERATING INSTRUCTION
CORDLESS DRILL/SCREWDRIVER VZV12**

Original text translation

**BEFORE YOU START USING THE MACHINE READ THOROUGHLY THIS MANUAL.****Keep this document for future reference.****WARNING! Read all safety warnings marked with a symbol  and all operating safety instructions.**

To limit the risk of fire, electric shock and injury while using the device, follow all operating safety instructions and tips provided below.

Keep all work safety instructions and tips for future reference.*In warnings provided herein the expression "power tool" means a power tool powered from the mains (with a power cord) or a battery powered power tool (cordless).***WARNING! General work safety warnings for use of the tool.****Workplace safety:**

- Keep your workplace tidy and well lit.** *Untidiness and bad lighting result in higher accident rate.*
- Do not use the power tool in explosive environments, created by flammable liquids, gases or dusts.** *The power tool generates sparks that can ignite dust or vapors.*
- Keep children and unauthorized persons away from the place where the power tools are used.** *Inattention may result in losing control over your power tool.*

**WARNING! General warnings regarding the use of power tools.****Electric safety:**

- Plugs used in power tools must match wall outlets. Never modify the plug of your power tool. Do not use any extension cables when operating a power tool with a grounding/earthing conductor (PE).** *Any modifications of plugs and outlets increase the risk of electric shock.*
- Avoid touching earthed surfaces or grounded items like pipes, heaters, central heating radiators and refrigerators.** *Touching earthed or grounded surfaces increases the risk of electric shock.*
- Do not expose your power tool to rain or damp environments.** *Water penetrating the tool increases the risk of electric shock.*
- Do not damage the power cord. Never use the power cord to carry, pull the power tool and do not pull by its power cord to disconnect plug from the outlet. Keep the power cord away from sources of heat, oils, sharp edges and moving parts.** *Damaged or entangled power cords increase the risk of electric shock.*
- When your power tool is operated outdoors use extension cords intended for outdoor use only. Using an extension cable intended for outdoor use decreases the risk of electric shock.
- It is recommended to connect the device to a mains supply equipped with a residual current device (RCD) with a rated current of 30 mA or less.**
- When it is unavoidable to use your power tool in a damp environment use an RCD (Residual Current Device) for protection.** *The use of RCDs decreases the risk of electric shock.*

**WARNING! General warnings regarding the use of power tools.****Personal safety:**

- This equipment is not intended for use by persons (including children) disabled physically, mentally, sensorial or persons with no experience and knowledge in operating the equipment unless they operate the equipment under supervision or follow user's instructions provided by persons responsible for their safety.**
- It is necessary to predict steps, watch and keep common sense when using power tools. Do not operate power tools when you are tired, under influence of drugs, medicine or alcohol.** *A moment of inattention while operating a power tool may result in serious personal injury.*
- Use personal protective equipment (PPE).** *Always wear safety goggles. Wearing personal protective equipment (PPE) including a dust mask, anti-slippery footwear, a helmet and ear protection reduces personal injury.*
- Avoid unexpected start up. Before connecting your power tool to the mains and/or inserting a battery make sure its power switch is in off position.** *Carrying your power tool with a finger on its power switch or without disconnecting it from the mains (switched on) may result in an accident.*
- Before starting your power tool remove any keys/wrenches.** *Leaving a key/wrench in the rotating part of your power tool may result in personal injury.*
- Do not lean forward too far. Always remain stable and maintain balance.** *It will allow you to have a better control over your power tool in unpredictable situations.*
- Wear appropriate clothing. Do not wear loose clothes or jewelry. Keep your hair tied. Keep your clothes away from moving parts.** *Loose clothes, jewelry or long hair may be caught by moving parts.*
- If your power tool allows for using an external dust extraction or collection system, make sure it is connected and used properly. Using dust collectors may reduce dust affected risks.**
- Do not let your skills gained through the frequent use of the power tool make you overconfident and disregard safety rules.** *Carelessness may cause injury in a fraction of a second.*

**WARNING! General warnings regarding the use of power tools.****Use and taking care of your power tool:**

- Do not overload your power tool. Use a power tool with power adjusted to work being done.** *An appropriately chosen power tool will allow you to work better and safer under load it has been designed for.*
- Do not use a power tool when its power switch is out of order (it does not switch it on or off).** *Any power tool with its power switch out of order is dangerous and must be repaired.*
- Always disconnect the plug from the power source and/or disconnect its battery before changing any settings, performing replacement or storage.** *Such preventive measures reduce the risk of accidental power tool start up.*
- Keep your power tool out of reach of children and do not allow unauthorized persons to use the power tool.** *Power tools in hands of untrained persons can be dangerous.*
- Power tools require maintenance. Check power tools for concentricity or jamming of moving parts, any cracks and all**

other factors affecting the power tool work safety. If any damage to the power tool is detected, it should be repaired before use. *Improper power tool maintenance is a reason for many accidents.*

- f) **Cutting tools should be sharp and clean.** *Keeping sharp cutting edges in good condition reduces the risk of jamming and facilitates operation.*
- g) **Power tools, equipment, working tools etc. should be used according to this user's manual taking into account operating conditions and the work to be done.** *Misusing a power tool can result in dangerous situations.*
- h) **At low temperatures and after a long brakes in operation it is recommended to turn the power tool to operate it with no load for a few minutes to provide proper grease distribution inside its driving mechanism.**
- i) **Use soft, damp (cannot be wet) cloth and soap to clean power tools. Do not use petrol, solvents and other agents that may damage your equipment.**
- j) **Power tools can be stored/carried after making sure that all moving components are locked and protected against release with original devices intended for this purpose.**
- k) **Store power tools in a dry, dust and water-protected place.**
- l) **Carry your power tool in its original packaging to provide protection against mechanical damage.**
- m) **Keep handles and grip surfaces clean and free from oil and grease.** *Secure grip and control over the tool in unexpected circumstances are impossible if handles and grip surfaces are slippery.*



WARNING! General warnings regarding the use of power tools.

Repair:

- a) **Warranty and post-warranty repairs of its power tools are carried out by PROFIX Service, which guarantees the best quality or repair and use of genuine spare parts.**



WARNING! Cordless drill/driver, security warnings –

Personal Safety:

- a) **Use hearing protection when using drill/driver.** *Exposure to noise can cause hearing loss.*
- b) **During work, when the power tool or drill might encounter a hidden electricity wire or its own lead, the power tool must be held by the insulated areas of the handle.** *Cutting accessory contacting a "live" wire may make exposed metal parts of the power tool "live" and could give the operator an electric shock.*
- c) **Use appropriate detectors to determine if utility lines are hidden in the work area or call the local utility company for assistance.** *Contact with electric lines can lead to fire and electric shock. Damaging a gas line can lead to explosion. Penetrating a water line causes property damage or may cause an electric shock.*
- d) **Do not work materials containing asbestos.** *Asbestos is considered carcinogenic.*
- e) **Keep your workplace clean and tidy.** *Material mixtures are extremely dangerous. Light metal dusts can ignite or explode.*
- f) **Protect the object machined.** *Make sure all clamps are closed and check for excessive clearance. It is safer to fix the object machined in a fixing device or a vice than holding it in your hand.*
- g) **Always hold firmly the power tool with your both hands using both the main and auxiliary handle keeping a stable position.** *It is safer to control your power tool with both hands.*
- h) **Turn the power tool immediately when the bit jams. Expect**

intense vibrations that can result in a kickoff. *The bit jams when the power tool is overloaded or is bent inside the object.*

- i) **Before you put the power tool aside make sure it is completely stopped.** *The bit can jam resulting in losing control over the power tool.*

Safety instructions when using long drill bits:

- a) **Never use a speed higher than the maximum drill bit speed. Always start drilling at a low speed and after touching the workpiece to the drill bit.** *At higher speeds, the drill bit may bend if not in contact with the workpiece, resulting in injury.*
- b) **Push the drill bit against the workpiece in line with the drill bit. Do not use excessive force.** *Drill bits may bend, causing damage and loss of control, which may result in injury.*



WARNING! Safe use of rechargeable batteries and battery chargers -

Using the battery:

- a) **Use only the batteries that correspond to specifications required by the equipment manufacturer.** *Use of unsuitable batteries may lead to cracks and destruction of the battery, personal injuries or fires.*
- b) **WARNING:** In case of damage or improper use of the battery, explosive gases might be released. The battery must be kept away from fire and proper ventilation is to be assured during charging. *It cannot be left for a longer period of time in a high temperature environment (areas with strong exposure to the sun, close to radiators or any other place with a temperature above 40 degrees).*
- c) **The battery must be charged within the temperature range of 15 to 25°C.**
- d) **The battery should be charged only using the charger that was supplied with the power tool.** *If another charger is used, breaking and disintegration of the battery, bodily harm, or fire are possible.*
- e) **Never expose the battery to the effect of water or moisture.**
- f) **When another battery is to be charged in sequence the time gap between charging operations must be not less than 30 minutes.**
- g) **In no case may you open the battery.**
- h) **Under unfavourable conditions electrolyte may leak from batteries, be careful to avoid contacts with the liquid. In case of accidental contacts with the liquid wash the affected locations with water. When liquid penetrates eyes, seek also for medical assistance.** *The liquid that leaks from batteries may be a reason for irritation or scalds.*
- i) **When the battery unit is not in use keep it far away from metallic items such as paper clips, coins, keys, nails, bolts or other metal things that may short the battery terminals.** *Shorts of battery terminals may cause burns or fires.*
- j) **Never throw batteries to fireplaces.**
- k) **Never charge a damaged battery.**



The batteries are intended for multiple use and contain harmful lithium.

Upon the battery lifetime expires the battery must be disposed in accordance with environmental regulations. Discharge the battery first top the empty state and remove from the electric tool. Hand over to an organization that deals with utilization of batteries or take it back to the shop where the tool had been purchased.

Using the charger:

- a) **Use only dedicated power adapters to charge the battery.** *Application of a power adapter dedicated to charge another type of the battery unit poses a risk of fires.*

- b) **The supplied charger should only be used for charging batteries that are supplied together with it.** *Charging other batteries may cause breaking and disintegration of the battery, bodily harm, or fire.*
- c) **Do not disassemble the charger.**
- d) **The charger is designed exclusively for indoor use.** *It must not be exposed to water or moisture.*
- e) **Charge only in an ambient temperature between 15-25 degrees.**
- f) **Do not insert metal objects of any kind into the charger.**

APPLICATIONS AND CONSTRUCTION:

The device is dedicated to drive in and out screws, drilling boreholes in such materials as steel, wood, plastics, etc. The combo drill and screwdriver is designed exclusively for DIY applications.

The tool must not be used for work requiring a professional tool.

Any use of the device that is not in observance with the above-mentioned purpose is forbidden, leads to the loss of warranty, and relieves the manufacturer from responsibility for the resulting damage.

Any modifications of the tool by the user relieve the manufacturer from responsibility for any damage and injuries to the user and the surroundings.

Despite using the tool according to its intended application it is impossible to eliminate certain residual risk factors. Considering the tool construction the following risks may occur when operating the tool:

- Touching the rotating drill bit with the hand or operator's clothes.
- Burns when changing drill bits (Drill bits heat up intensely during operation; use protective gloves when changing the drill bit).
- Throwing back machined object or its fragment.
- Bending/breaking the drill.

■ The set contains:

- Cordless drill/screwdriver - 1 pc.
- Battery - 1 pc.
- Charger - 1 pc.
- Warranty card - 1pc.
- Operating instruction - 1pc.

■ Device components

The numbering of device components refers to graphics presented on page 2 of the user's manual:

- Fig.A** 1. Keyless chuck
- 2. Clutch control knob
- 3. Mode knob
- 4. Gear shifter
- 5. Rotation direction switch
- 6. Battery capacity indicator
- 7. Handle
- 8. On/off switch
- 9. Auxiliary lighting
- Fig.B** 10. Battery
- 11. Battery lock clips
- Fig.C** 12. Charger
- Fig.F** 13. Clutch setting and mode mark
- Fig.G** 14. Left-threaded fixing screw
- 15. Spindle

TECHNICAL PARAMETERS:

MODEL	VZV12
Supply voltage	DC 12V
Rotation speed under no-load conditions	0-350/0-1300 rpm
Maximum torque	25 Nm
Chuck clamping range	∅ 0,8-10 mm
Weight (with battery)	1,02 kg
Sound pressure level (LpA)	76,3 dB(A)
Sound power level (LwA)	87,3 dB(A)
Tolerance of measurements KpA, KwA	3 dB(A)
Vibration level according to: EN 62841-2-1 (tolerance of measurements K=1,5 m/s ²)	a _{h,d} = 1,44 m/s ²
Battery type	Li-ion
Rated voltage	12V
Electric capacity	1300mAh
Battery charger	
Mains voltage	100-240V/0,3A
Frequency	50/60Hz
Output current (DC)	22V/ 0,5A
Charging time	3h

The vibration level value given refers to basic application of the tool. If the tool is used for other applications or with other tools, or if it is not maintained properly, the vibration level may differ from the values given. The above-mentioned causes may lead to higher exposure to vibrations during the whole work time. One must implement additional safety measures to protect the operators from exposure to vibrations, such as maintenance of the electric tool and work tools, assurance of proper hand temperature, or determination of the sequence of work operations. The declared total vibrations and declared noise emissions were measured in accordance with a standard test method and may be used for tool comparison.

The declared total vibrations and noise emissions can be used in preliminary exposure assessment.

Warnings:

The vibrations and noise emissions during the actual use of the power tool may differ from the declared values depending on how the tool is used and on the type of the workpiece in particular.

Determine safeguards to protect the operator. They should be based on the estimated exposure under actual operational conditions (taking into account all parts of the operating cycle such as when the tool is switched off or idle except the start time).

PREPARATION FOR WORK:

■ Charging the battery

The driver is supplied with a partially charged battery. Charge the battery fully before use. It is recommended that the first charging session lasts at least 3 hours.

1. Press the battery lock buttons (11) and remove the battery (10) from the drill-driver (see fig. B).
2. Connect the battery (10) to the charger (12) (see fig. C).
3. Connect charger to an electrical socket 100-240V, 50/60Hz.

■ Battery charging indicator

A **green** LED light indicates that the charger is connected to a power source. After the battery is connected, the **red** LED is on to indicate charging.

When the battery is fully charged, the red LED goes off and the green LED is on.

The charging current reduces with the charging progress. After about 3 hours the charging current reaches the stable, minimum value (trickle charging) to prevent battery overcharging and damage.

After charging, disconnect the charger and remove the battery.

The lithium-ion battery can be charged at any moment, without detriment to its life. Interrupting the charging process does not entail a risk of damaging the battery cells.

IN USE:

■ **Turning on/off**

The switch (8) has fluid rotation speed adjustment built-in.

Press the switch to activate the power tool. The rotation speed will increase the further the switch is pushed. To stop the power tool, release the switch.

■ **Battery capacity indicator**

The battery capacity indicator (6) indicates the battery is empty with three LEDs of different colors.

All LEDs light up:

The battery is fully charged.

Yellow and red LEDs are lit:

The battery is sufficiently charged.

Only red LED is lit:

The battery is empty, it needs charging.

■ **Choosing rotation direction** (see Fig. E)

The driver can work with clockwise (right) or counter-clockwise (left) rotation.

- to select clockwise rotation, move the clockwise/counter-clockwise slider (5) to the left (looking from the back of the driver),

- to select counter-clockwise rotation, move the clockwise/counter-clockwise slider (5) to the right (looking from the back of the driver),

When the rotation direction switch is in the middle position, it is locked.

For drilling and driving screws in, clockwise operation should be selected. For taking out the drill bit, removing a stuck drill bit, or unscrewing screws, counter-clockwise operation should be selected.

■ **Choosing torque** (see Fig. F)

The driver is equipped with a ring (2), which can be used for setting the torque when driving screws. The ring has 18 settings, from 1 to 18.

Using a given setting (from 1 -18) means that the clutch is set to an assigned torque. This makes it possible to prevent a screw from being driven too far or being damaged. Different torques should be used for different screws and materials.

Always start with a low torque and increase gradually until the desired result is achieved.

For drilling in metal, wood or plastic, set the ring (2), so that the indicator (13) points to position 18.

■ **Selecting mode**



NOTE:

Change the operating mode when the power tool is switched off only! Otherwise, the power tool may be damaged.

Use the operating mode selector knob (3) to select the operating mode of the power tool.

To change the operating mode, move the operating mode switch to the desired position until the ratchet audibly engages.

Drilling:

Move the knob (3) on symbol -

Screwing:

Move the knob (3) on symbol -

■ **Shifting gear**

The gear shifter (4) makes it possible to choose 2 rotation speed ranges.

Gear I: Used for drilling.

Gear II: Used for driving and unscrewing screws.

CAUTION: Do not change the position of the gear shifter (4) during tool operation as this may damage the gear box. Always allow the tool to come to a full stop before changing the setting of the gear shifter.

If the gear shifter does not move all the way, move the drive spindle slightly.

■ **Changing the chuck** (see Fig. G)

1. Disconnect the battery (10) from the driver.

2. Open the chuck as much as possible (1)

3. Using a PH 2 (Philips No.2) screwdriver, rotate the fixing screw (14) of the chuck clockwise (**CAUTION! Left-thread**). To free a seized bolt hit is gently on its head.

4. Hold the chuck ring and rotate the drill/driver chuck counter-clockwise (looking from the point of view of the chuck).

CAUTION: A jammed keyless chuck (1) can be released by inserting the short end of a hex key in the chuck and lightly tapping the longer arm of the key (see Fig. D).

5. To attach the chuck, screw it onto the drive spindle counter-clockwise (looking from the chuck side) and secure by screwing in the fixing screw counter-clockwise using a PH 2 screwdriver (No.2 Philips). For the chuck not to rotate during screwing in the fixing screw, the chuck should be held by the ring.

■ **Auxiliary lighting**

• The drill/driver is equipped with an auxiliary light (9) for the area of drilling/driving, which turns on after the appropriate switch (8) is pushed.

■ **Work tool replacement**

CAUTION: Disconnect the battery from the driver or put the rotation direction switch (5) in the middle position to secure the machine from being started by mistake, which could in turn cause harm to the user.

When the tool switch (8) is released the drill chuck is locked. It enables quick, easy and convenient replacement of a working tool installed in the drill chuck. To remove a drill (or a working bit) from the drill chuck, rotate the chuck ring anticlockwise to expand the opening of the chuck. Insert a new drill (or a working bit) into the chuck and rotate the chuck ring clockwise to secure the drill in the drill chuck.

Drills (or other working bits) must be moved to the full depth of the chuck opening.

■ **Drilling boreholes**

1. To drill deep boreholes carry out your job gradually, drill to lower depths and remove the drill from the borehole from time to time to remove borings from the borehole.

- To drill large diameter boreholes it is recommended to start with drilling a low-diameter borehole and then expand it to the desired diameter. It prevents the tool from overloads.
- When the drilling bit is seized during working switch immediately the tool off to prevent it from being damaged. Switch the rotations direction to the anticlockwise rotations and then remove the drilling bit from the borehole.
- Keep the drill aligned with the axis of the borehole. The drilling bit must be positioned perpendicularly to the surface of the machined material. When the perpendicularity fails to be maintained the drilling bit may be seized or broken or, under extreme circumstances, the operator may be injured.

Rotation speed of the drill spindle is controlled by the force the power switch is depressed with.

■ Driving screws

It is recommended to drill the pilot borehole first. The pilot borehole must be a little deeper and with a less diameter than the outer diameter of the screw thread. When the screw is to be driven within the vicinity of the material edge the pilot borehole prevents from undesired chipping of the material.

If the screw is driven with abnormal difficulty the screw must be retracted and the pilot borehole diameter should be enlarged.

Anyway, when problem to drive the screw in persists (e.g. in case of hard wood grades) try to use a lubricating agent (e.g. liquid soap). Press the tool to the screw with sufficient force to avoid spontaneous rotation of the driving bit in the screw head. Use only those bits that accurately match the bit head. When the screw head is damaged further driving the screw in or out may prove infeasible.

STORAGE AND MAINTENANCE:

The tool in principle does not require any special maintenance or service. The tool must be stored in a place that is not accessible to children and must be kept clean and protected from moisture and dust. The storage conditions should prevent potential mechanical damage and impact of the weather conditions.

CAUTION: Remember to always disconnect the battery from the tool prior to starting the cleaning operations and unplug the charger from the outlet. The charger may be cleaned exclusively with use of a dry cloth.


Use also a clean cloth to clean regularly the ventilation openings of the tool to keep them patent. From time to time disassemble the grip and remove dust and other rubbish from the interior.

The tool housing must be cleaned with use of a moistened cloth small quantity of soap and then wiped dry. Do not use any detergents or solvents as they can damage parts made from plastics. After cleaning let the tool dry completely before it is used again.

TRANSPORTATION:

Store and transport the tool in its transport box to protect it against humidity, dust penetration and small objects; remember to protect its ventilation openings. Small objects after getting into the casing can result in damage to the motor.

PROTECTION OF THE ENVIRONMENT:

 **NOTE:** The symbol nearby denotes that old equipment must never be thrown away together with other waste (with the penalty of a fine). Hazardous components of electronic equipment may adversely affect the natural environment and

human health.

Each household may contribute to the recovery and reuse (recycling) of old machinery and equipment. Both in Poland and Europe a system for recovery of used equipment either exists or is being created. The system obliges all organizations that sell such equipment to collect the used machinery and appliances. Moreover, general purpose collecting points for such equipment are available.

PICTOGRAMS:

Explanation of the icons located on the nominal plate and the information tags:



«Read this instruction before switching on the power supply and starting the work»



«Always wear appropriate eye protection»



«Wear protective gloves»



«Wear hearing protection»



«Wear a dust mask»



«Protect the battery against heat, e. g., against continuous intense sunlight.»



«Never dispose of batteries in fire.»



«Never dispose of batteries in water.»

MANUFACTURER:

PROFIX Sp. z o.o.;
ul. Marywilka 34,
03-228 Warszawa, POLAND.

This appliance is in conformity with national and European standards as well as with general safety guidelines.

Any repairs are allowed to be carried out exclusively by qualified staff with use of original spare parts.

TROUBLESHOOTING GUIDE:

PROBLEM	POSSIBLE CAUSE	REMEDY
The tool (drill/screwdriver) fails to operate.	No power voltage, damaged motor or the power trigger.	Check the battery status, recharge or replace with a new one when necessary. When the problem persists hand over the tool for repair at a service workshop. Please refer to the warranty sheet for addresses of authorized workshops.
Irregularities of the motor operation.	Battery low.	Recharge the battery.
	Worn carbon brushes of the motor.	Have the brushes replaced at a service workshop.




The policy of the PROFIX company consists in permanent improvements of the offered products and therefore the company reserves the right to make amendments to the product specification without a prior notice. The images included into the operation manual are only of the exemplary nature and may slightly differ from actual appearance of the device purchased. This instruction manual is protected by copyright. Copying it without the written consent of PROFIX Co. Ltd. is prohibited.



PRZED PRZYSTĄPIENIEM DO UŻYTKOWANIA NALEŻY ZAPOZNAĆ SIĘ Z NINIEJSZĄ INSTRUKCJĄ.

Zachowaj instrukcję do ewentualnego przyszłego wykorzystania.



OSTRZEŻENIE! Należy przeczytać wszystkie ostrzeżenia dotyczące bezpieczeństwa użytkowania oznaczone symbolem  i wszystkie wskazówki dotyczące bezpieczeństwa użytkowania.

Nieprzestrzeganie podanych niżej ostrzeżeń dotyczących bezpieczeństwa i wskazówek dotyczących bezpieczeństwa może być przyczyną porażenia prądem elektrycznym, pożaru i/lub poważnych obrażeń.

Zachowaj wszystkie ostrzeżenia i wskazówki dotyczące bezpieczeństwa, aby móc skorzystać z nich w przyszłości.

W podanych niżej ostrzeżeniach wyrażenie „elektronarzędzie” oznacza elektronarzędzie zasilane z sieci (z przewodem zasilającym) lub elektronarzędzie zasilane z akumulatora (bezprowodowe).



OSTRZEŻENIE! Ogólne ostrzeżenia dotyczące bezpieczeństwa użytkowania narzędzia.

Bezpieczeństwo w miejscu pracy:

- W miejscu pracy należy utrzymywać porządek i dobre oświetlenie. *Nieporządek i złe oświetlenie przyczynia się do wypadków.*
- Nie należy używać elektronarzędzia w środowiskach wybuchowych, tworzonych przez łatwo palne ciecze, gazy lub pyły. *Elektronarzędzie wytwarza iskry, które mogą zapalić pył lub opary.*
- Nie należy dopuszczać dzieci i obserwatorów do miejsc, w których używa się elektronarzędzi. *Rozproszenie uwagi może spowodować utratę kontroli nad elektronarzędziem.*



OSTRZEŻENIE! Ogólne ostrzeżenia dotyczące bezpieczeństwa użytkowania narzędzia.

Bezpieczeństwo elektryczne:

- Wtyczki elektronarzędzi muszą pasować do gniazdek. Nigdy w żaden sposób nie należy przerabiać wtyczki. Nie należy używać żadnych przedłużaczy w przypadku elektronarzędzi mających przewód z żyłą uziemienia ochronnego. Brak przeróbek we wtyczkach i gniazdkach wtyczkowych zmniejsza ryzyko porażenia prądem elektrycznym.
- Należy unikać dotykania powierzchni uziemionych lub zwartych z masą, takich jak rury, ogrzewacze, grzejniki centralnego ogrzewania i chłodziarki. *W przypadku dotknięcia części uziemionych lub zwartych z masą, wzrasta ryzyko porażenia prądem elektrycznym.*
- Nie należy narażać elektronarzędzi na działanie deszczu lub warunków wilgotnych. *W przypadku przedostania się do elektronarzędzia wody, wzrasta ryzyko porażenia prądem elektrycznym.*
- Nie należy nadwierać przewodów przyłączeniowych. Nigdy nie należy używać przewodu przyłączeniowego do przenoszenia, ciągnięcia elektronarzędzia lub wyciągania wtyczki z gniazdka. Należy trzymać przewód przyłączeniowy z daleka od źródeł ciepła, olejów, ostrych krawędzi lub ruchomych części. *Uszkodzone lub zaplątane przewody przyłączeniowe zwiększają ryzyko porażenia prądem elektrycznym.*
- W przypadku, gdy elektronarzędzie używa się na wolnym powietrzu, przewody przyłączeniowe należy przedłużać

przedłużaczami przeznaczonymi do pracy na wolnym powietrzu. *Używanie przedłużacza przeznaczonego do pracy na wolnym powietrzu zmniejsza ryzyko porażenia prądem elektrycznym.*

- Zaleca się podłączenie urządzenia do sieci elektrycznej wyposażonej w wyłącznik różnicowo-prądowy (RCD) o prądzie wyłączenia 30mA lub mniejszym.
- W przypadku, gdy używanie elektronarzędzia w środowisku wilgotnym jest nieuniknione, jako ochronę przed napięciem zasilania należy stosować urządzenie różnicowoprądowe (RCD). *Zastosowanie RCD zmniejsza ryzyko porażenia prądem elektrycznym.*



OSTRZEŻENIE! Ogólne ostrzeżenia dotyczące bezpieczeństwa użytkowania narzędzia.

Bezpieczeństwo osobiste:

- Niniejszy sprzęt nie jest przeznaczony do użytkowania przez osoby (w tym dzieci) o ograniczonej zdolności fizycznej, czuciowej lub psychicznej, lub osoby nie mające doświadczenia lub znajomości sprzętu, chyba że odbywa się to pod nadzorem lub zgodnie z instrukcją użytkowania sprzętu, przekazanej przez osoby odpowiedzialne za ich bezpieczeństwo.
- Należy być przewidującym, obserwować co się robi i zachowywać rozsądek podczas używania elektronarzędzia. Nie należy używać elektronarzędzia, gdy jest się zmęczonym lub pod wpływem narkotyków, alkoholu lub leków. *Chwila nieuwagi podczas pracy elektronarzędziem może spowodować poważne osobiste obrażenia.*
- Należy stosować wyposażenie ochronne. Należy zawsze zakładać okulary ochronne. *Używanie w odpowiednich warunkach wyposażenia ochronnego, takiego jak maska przeciwpyłowa, obuwie antypoślizgowe, kask lub ochronniki słuchu, zmniejszy osobiste obrażenia.*
- Należy unikać niezamierzonego rozruchu. Przed przyłączeniem do źródła zasilania i/lub przed podłączeniem akumulatora oraz zanim podniesie się lub przeniesie się narzędzie należy upewnić się, że wyłącznik elektronarzędzia jest w pozycji wyłączony. *Przenoszenie elektronarzędzia z palcem na wyłączniku lub przyłączenie elektronarzędzia do sieci zasilającej przy załączonym wyłączniku może być przyczyną wypadku.*
- Przed uruchomieniem elektronarzędzia należy usunąć wszystkie klucze. *Pozostawienie klucza w obracającej się części elektronarzędzia może spowodować osobiste obrażenia.*
- Nie należy wychylać się za daleko. Należy cały czas stać pewnie i zachować równowagę. *Umożliwi to lepszą kontrolę nad elektronarzędziem w sytuacjach nieprzewidywalnych.*
- Należy odpowiednio się ubierać. Nie należy nosić luźnego ubrania ani biżuterii. Należy utrzymywać swoje włosy, ubranie i rękawiczki z dala od części ruchomych. *Luźne ubranie, biżuteria lub długie włosy mogą zostać zacepione przez części ruchome.*
- Jeżeli urządzenia są przystosowane do przyłączenia zewnętrznego odciążu pyłu i pochłaniacza pyłu, należy upewnić się, że są one przyłączone i prawidłowo użyte. *Użycie pochłaniacza pyłu może zredukować zagrożenia zależne od zapylenia.*
- Nie pozwól, aby umiejętności uzyskane dzięki częstemu korzystaniu z elektronarzędzia pozwoliły Ci poczuć się pewnym siebie i zignorować zasady bezpieczeństwa. *Nieostrożne działanie*

może spowodować poważne obrażenia w ułamku sekundy.



OSTRZEŻENIE! Ogólne ostrzeżenia dotyczące bezpieczeństwa użytkowania narzędzia.

Użytkowanie i troska o elektronarzędzie:

- a) Nie należy elektronarzędzia przeciążać. Należy stosować elektronarzędzie o mocy odpowiedniej do wykonywanej pracy. *Właściwe elektronarzędzie umożliwi pracę lepszą i bezpieczniejszą przy obciążeniu, na jakie zostało zaprojektowane.*
- b) Nie należy używać elektronarzędzia, jeżeli łącznik go nie łączy i nie wyłącza. *Każde elektronarzędzie, którego nie można łączyć lub wyłączać łącznikiem, jest niebezpieczne i musi zostać naprawione.*
- c) Należy odłączać wtyczkę ze źródła zasilania elektronarzędzia i/lub odłączyć akumulator przed wykonaniem każdej nastawy, wymiany części lub magazynowaniem. *Takie zapobiegawcze środki bezpieczeństwa redukują ryzyko przypadkowego rozruchu elektronarzędzia.*
- d) Nieużywane elektronarzędzie należy przechowywać poza zasięgiem dzieci i nie należy pozwalać osobom niezaznajomionym z elektronarzędziem lub niniejszą instrukcją na używanie elektronarzędzia. *Elektronarzędzia są niebezpieczne w rękach nieprzeszkolonych użytkowników.*
- e) Elektronarzędzia należy konserwować. Należy sprawdzać współosiowość lub zakleszczenie się części ruchomych, pęknięcia części i wszystkie inne czynniki, które mogą mieć wpływ na pracę elektronarzędzia. *Jeżeli stwierdzi się uszkodzenia, należy elektronarzędzie przed użyciem naprawić. Przyczyną wielu wypadków jest niefachowy sposób konserwacji elektronarzędzia.*
- f) Narzędzia tnące powinny być ostre i czyste. *Odpowiednie utrzymywanie ostrych krawędzi narzędzi tnących zmniejsza prawdopodobieństwo zakleszczenia i ułatwia obsługę.*
- g) Elektronarzędzie, wyposażenie, narzędzia robocze itp. należy stosować zgodnie z niniejszą instrukcją, biorąc pod uwagę warunki pracy i rodzaj pracy do wykonania. *Używanie elektronarzędzia w sposób, do jakiego nie jest przewidziane, może spowodować niebezpieczne sytuacje.*
- h) W niskich temperaturach, lub po dłuższym okresie nie użytkowania, zalecane jest włączenie elektronarzędzia bez obciążenia na okres kilku minut w celu właściwego rozprowadzenia smaru w mechanizmie napędu.
- i) Do czyszczenia elektronarzędzi stosować miękką, wilgotną (nie mokra) szmatkę i mydło. Nie stosować benzyny, rozpuszczalników i innych środków mogących uszkodzić urządzenie.
- j) Elektronarzędzie należy przechowywać/ transportować po upewnieniu się, że wszystkie jego elementy ruchome są zablokowane i zabezpieczone przed odblokowaniem za pomocą oryginalnych elementów do tego przeznaczonych.
- k) Elektronarzędzie należy przechowywać w miejscu suchym, zabezpieczone przed kurzem i wnikaniem wilgoci.
- l) Transportowanie elektronarzędzia powinno odbywać się w opakowaniu oryginalnym, zabezpieczającym przed uszkodzeniami mechanicznymi.
- m) Uchwyty i powierzchnie chwytne należy utrzymywać czyste i wolne od oleju i smaru. *Śliskie uchwyty i powierzchnie chwytne nie pozwalają na bezpieczne trzymanie i kontrolę narzędzia w nieoczekiwanych sytuacjach.*



OSTRZEŻENIE! Ogólne ostrzeżenia dotyczące bezpieczeństwa użytkowania narzędzia.

Naprawa:

- a) Naprawy gwarancyjne i pogwarancyjne swoich elektronarzędzi wykonuje Serwis PROFIX, co gwarantuje najwyższą jakość napraw oraz stosowanie oryginalnych części zamiennych.



OSTRZEŻENIE! Wiertarka - wkrętarka akumulatorowa, ostrzeżenia dotyczące bezpieczeństwa –

Bezpieczeństwo osobiste:

- a) Zakładać ochronniki słuchu podczas pracy wiertarko - wkrętarką. *Narażenie się na hałas może spowodować utratę słuchu.*
 - b) Podczas wykonywania prac, przy których narzędzie robocze lub śruba mogłyby natrafić na ukryte przewody elektryczne, elektronarzędzie należy trzymać za izolowane powierzchnie rękojeści. *Kontakt z przewodem sieci zasilającej może spowodować przekazanie napięcia na części metalowe elektronarzędzia, co mogłoby spowodować porażenie prądem elektrycznym.*
 - c) Należy używać odpowiednich przyrządów poszukiwawczych w celu lokalizacji ukrytych przewodów zasilających, lub poprosić o pomoc administrację obiektu. *Kontakt z przewodami znajdującymi się pod napięciem może doprowadzić do powstania pożaru i porażenia elektrycznego. Uszkodzenie przewodu gazowego może doprowadzić do wybuchu. Wniknięcie do przewodu wodociągowego powoduje szkody rzeczowe.*
 - d) Nie należy obrabiać materiału zawierającego azbest. *Azbest powoduje chorobę nowotworową.*
 - e) Miejsce pracy należy utrzymywać w czystości. *Mieszanki materiałów są szczególnie niebezpieczne. Pył z metalu lekkiego może się zapalić lub wybuchnąć.*
 - f) Należy zabezpieczyć obrabiany przedmiot. *Upewnić się, czy wszystkie zaciski mocujące są ściśnięte i zweryfikować, aby nie było przesadnego luzu. Zamocowanie obrabianego przedmiotu w urządzeniu mocującym lub imadło jest bezpieczniejsze niż trzymanie go w ręku.*
 - g) Elektronarzędzie podczas pracy należy mocno trzymać oraz dbać o stabilną pozycję. *Podczas dokręcania i luzowania śrub mogą wystąpić krótkotrwałe wysokie momenty reakcji.*
 - h) Należy natychmiast wyłączyć elektronarzędzie, gdy zablokuje się używane narzędzie. *Należy być przygotowanym na wysokie wibracje, które powodują odrzut. Używane narzędzie zablokuje się, gdy: elektronarzędzie jest przeciążone, lub gdy skrzywi się w obrabianym przedmiocie.*
 - i) Przed odłożeniem elektronarzędzia, należy poczekać, aż znajdzie się ono w bezruchu. *Narzędzie robocze może się zablokować i doprowadzić do utraty kontroli nad elektronarzędziem.*
 - j) Elektronarzędzia należy używać wyłącznie z baterią akumulatorów specjalnie przeznaczoną do ich zasilania. *Użycie innej baterii akumulatorów może stwarzać ryzyko obrażeń lub pożaru.*
- Instrukcje bezpieczeństwa podczas używania długich wiertel:**
- a) Nigdy nie pracuj z większą prędkością niż maksymalna prędkość obrotowa wiertła. *Zawsze rozpocznij wiercenie z małą prędkością i po zetknięciu wiertła z przedmiotem obrabianym. Przy wyższych prędkościach, wiertło może się wyginać, jeśli obraca się swobodnie bez kontaktu z przedmiotem obrabianym, powodując obrażenia ciała.*
 - b) Podczas wiercenia dociskaj wiertło do przedmiotu obrabianego w jednej linii z wiertłem, nie należy zbyt mocno dociskać wiertła. *Wiertła mogą się wyginać, powodując uszkodzenie lub utratę kontroli, co może spowodować obrażenia ciała.*



OSTRZEŻENIE! Bezpieczne użytkowanie akumulatorów ładowarek –

Użytkowanie akumulatorów:

- a) **Należy używać tylko akumulatorów zgodnych ze specyfikacją podaną przez producenta.** W przypadku użycia innych akumulatorów może wystąpić pęknięcie i rozpadnięcie się akumulatora, uszkodzenie ciała lub pożar.
- b) **UWAGA: W przypadku uszkodzenia i niewłaściwego użytkowania akumulatora może dojść do wydzielania się gazów wybuchowych.** Akumulator należy zawsze utrzymywać z dala od źródła ognia oraz zapewnić odpowiednią wentylację podczas ładowania. *Nie wolno pozostawić go na dłuższy czas w środowisku, w którym panuje wysoka temperatura (w miejscach nasłonecznionych, w pobliżu grzejników lub gdziekolwiek tam, gdzie temperatura przekracza 40 stopni).*
- c) **Ładowanie akumulatora powinno odbywać się w zakresie temperatur 15-25 °C.**
- d) **Akumulator należy ładować tylko za pomocą ładowarki dołączonej do elektronarzędzia.** Tylko ta ładowarka jest dostosowana do ładowania zastosowanego w elektronarzędziu akumulatora litowo-jonowego. W przypadku użycia innych ładowarek może nastąpić pęknięcie i rozpadnięcie się akumulatora, uszkodzenia ciała lub pożar.
- e) **Nie wystawiać akumulatora na działanie wody i wilgoci.**
- f) **Jeśli zamierza się ładować kolejno więcej niż jeden akumulator, należy zrobić przerwę 30 minutową pomiędzy ładowaniami.**
- g) **W żadnym wypadku nie należy otwierać akumulatora.**
- h) **W niekorzystnych warunkach z akumulatora może wydostać się ciecz; należy unikać kontaktu z cieczą.** Jeżeli przypadkowo nastąpi zetknięcie użytkownika z cieczą, miejsce zetknięcia należy przemyć wodą. Jeżeli ciecz trafi do oczu, dodatkowo należy szukać pomocy medycznej.

Wydostająca się z akumulatora ciecz może spowodować podrażnienia lub oparzenia.

- i) **W czasie, gdy bateria akumulatorów nie jest używana, należy ją przechowywać z dala od metalowych przedmiotów takich, jak spinacze do papieru, monety, klucze, gwoździe, śruby, lub inne małe elementy metalowe, które mogą zewrzeć zaciski akumulatorów.** Zwarcie zacisków akumulatora może spowodować oparzenia lub pożar.
- j) **Nie wrzucać akumulatorów do ognia.**
- k) **Nie wolno ładować uszkodzonego akumulatora.**



Akumulatory są przeznaczone do wielokrotnego ładowania, zawierają szkodliwy dla środowiska lit.

Po zakończeniu okresu żywotności należy je zutylizować zgodnie z przepisami o ochronie środowiska naturalnego.

W tym celu całkowicie wyczerpać akumulator, wyjąć z elektronarzędzia, zdać do punktu utylizacji akumulatorów lub zdać do sklepu, w którym dokonano zakupu.

Użytkowanie ładowarki:

- a) **Ładować należy wyłącznie ładowarką zalecaną przez wytwórcę.** Użycie ładowarki przeznaczonej do ładowania innego typu baterii akumulatorów stwarza ryzyko powstania pożaru.
- b) **Nie wolno rozkręcać ładowarki.**
- c) **Ładowarka jest przeznaczona wyłącznie do pracy wewnątrz**

pomieszczeń. *Nie wolno jej narażać na działanie wody i wilgoci.*

- d) **Ładować tylko w zakresie temperatur 15-25 stopni.**
- e) **Nie wolno wkładać jakichkolwiek przedmiotów metalowych do ładowarki.**

PRZEZNACZENIE I BUDOWA WIERTARKO-WKRĘTARKI:

Wiertarko-wkrętarka akumulatorowa jest przeznaczona do wkręcania i wykręcania wkrętów, wiercenia otworów w takich materiałach jak stal, drewno, tworzywa sztuczne, itp.

Wiertarko-wkrętarka jest przeznaczona wyłącznie do użytku amatorskiego. **Nie wolno wykorzystywać narzędzia do wykonywania prac wymagających zastosowania profesjonalnego urządzenia.**

Każde użycie urządzenia niezgodne z przeznaczeniem podanym wyżej jest zabronione i powoduje utratę gwarancji oraz brak odpowiedzialności producenta za powstałe w wyniku tego szkody.

Jakiegokolwiek modyfikacje urządzenia dokonane przez użytkownika zwalniają producenta z odpowiedzialności za uszkodzenia i szkody wyrządzone użytkownikowi i otoczeniu.

Pomimo zgodnego z przeznaczeniem stosowania nie można całkowicie wyeliminować określonych czynników ryzyka resztkowego. Ze względu na konstrukcję i budowę maszyny mogą wystąpić następujące niebezpieczeństwa:

- dotknięcie obracającego się wiertła w trakcie pracy ręką lub ubraniem operatora;
- oparzenie przy wymianie wiertła. (Podczas pracy wiertło bardzo się rozgrzewa, żeby uniknąć oparzenia przy jego wymianie należy stosować rękawice ochronne);
- odrzucenie przedmiotu obrabianego lub części przedmiotu obrabianego;
- skrzywienie/złamanie wiertła.

■Kompletacja:

- Wiertarko-wkrętarka akumulatorowa - 1 szt.
- Akumulator - 1 szt.
- Ładowarka - 1 szt.
- Karta gwarancyjna - 1 szt.
- Instrukcja obsługi - 1 szt.

■Elementy urządzenia:

Numeracja elementów urządzenia odnosi się do przedstawienia graficznego umieszczonego na stronie 2 instrukcji obsługi:

- Rys.A**
1. Uchwyt wiertarski szybkozakiskowy
 2. Pokrętko regulacji sprzęgła
 3. Pokrętko przełączania trybu pracy
 4. Przełącznik biegów
 5. Przełącznik kierunku obrotów
 6. Wskaźnik pojemności akumulatora
 7. Rękojeść
 8. Właznik
 9. Oświetlenie pomocnicze

- Rys.B**
10. Akumulator
 11. Przyciski blokady akumulatora

- Rys.C**
12. Ładowarka

- Rys.F**
13. Znacznik nastawienia sprzęgła i trybu pracy

- Rys.G**
14. Śruba mocująca lewoskrętna
 15. Wrzeciono

DANE TECHNICZNE:

MODEL	VZV12
Napięcie zasilania	DC 12 V
Prędkość obrotowa bez obciążenia (I/II bieg)	0-350/0-1300 min ⁻¹
Maks. moment obrotowy	25 Nm
Zakres mocowania uchwyty wiertarskiego	∅ 0,8-10 mm
Waga (z akumulatorem)	1,02 kg
Poziom ciśnienia akustycznego (LpA)	76,3 dB(A)
Poziom mocy akustycznej (LWA)	87,3 dB(A)
Tolerancja pomiaru KpA, Kwa	3 dB(A)
Poziom wibracji wg: EN 62841-2-1 (tolerancja pomiaru K=1,5 m/s ²)	a _{wb} = 1,44 m/s ²
Typ akumulatora	Li-ion
Napięcie ładowania akumulatora	12V
Pojemność akumulatora	1300mAh
Ładowarka	
Napięcie wejściowe (AC)	100-240 V/ 0,3A
Częstotliwość sieci	50/60 Hz
Napięcie wyjściowe (DC)	22V/ 0,5A
Czas ładowania	3 h

Podany poziom drgań jest reprezentatywny dla podstawowych zastosowań elektronarzędzia. Jeżeli elektronarzędzie użyte zostanie do innych zastosowań lub z innymi narzędziami roboczymi, a także jeśli nie będzie wystarczająco konserwowane, poziom wibracji może odbiegać od podanego. Podane powyżej przyczyny mogą spowodować podwyższenie ekspozycji na wibracje podczas całego czasu pracy.

Należy wprowadzić dodatkowe środki bezpieczeństwa, mające na celu ochronę operatora przed skutkami ekspozycji na wibracje, np.: konserwacja elektronarzędzia i narzędzi roboczych, zabezpieczenie odpowiedniej temperatury rąk, ustalenie kolejności operacji roboczych.

Deklarowana całkowita wartość drgań i deklarowane wartości emisji hałasu zostały zmierzone zgodnie ze standardową metodą badawczą i mogą być wykorzystane do porównania jednego narzędzia z innym.

Deklarowane wartości całkowite drgań i deklarowane wartości emisji hałasu można wykorzystać we wstępnej ocenie narażenia.

Ostrzeżenia:

Wibracje i emisja hałasu podczas rzeczywistego użytkowania elektronarzędzia mogą różnić się od deklarowanych wartości w zależności od sposobu, w jaki narzędzia są używane, w szczególności od rodzaju obrabianego przedmiotu.

Należy określić środki bezpieczeństwa w celu ochrony operatora, które opierają się na oszacowaniu narażenia w rzeczywistym stanie użytkowania (biorąc pod uwagę wszystkie części cyklu operacyjnego, takie jak czasy, w których narzędzie jest wyłączone i kiedy pracuje na biegu jałowym za wyjątkiem czasu wyzwalania).

PRZED PRZYSTĄPIENIEM DO PRACY:

■ Ładowanie akumulatora

Wiertarko-wkrętarka jest dostarczana z akumulatorem częściowo naładowanym. Przed użyciem należy w pełni naładować akumulator. Dla pierwszego ładowania zaleca się ładowanie trwające minimum 3 godziny.

1. Wcisnąć przyciski blokady akumulatora (11) i wyjąć akumulator (10) z wiertarko-wkrętarki (patrz rys. B).
2. Podłączyć akumulator (10) do ładowarki (12) (patrz rys. C).

3. Podłączyć wtyczkę ładowarki do gniazdka sieciowego 100-240V, 50/60Hz.

■ Sygnalizacja ładowania baterii

Świecąca zielona dioda LED na ładowarce informuje o tym, że ładowarka jest podłączona do źródła zasilania. Po podłączeniu akumulatora zapala się dioda czerwona, która informuje, że ładowanie jest w toku.

Gdy bateria będzie całkowicie naładowana czerwona dioda zgaśnie i zapali się dioda zielona.

W miarę postępu ładowania prąd ładowania automatycznie się zmniejsza. Po ok. 3 godzinach prąd ładowania stabilizuje się na minimalnym poziomie (ładowanie podtrzymujące), co zapobiega możliwości przeładowania i uszkodzenia akumulatora.

Po zakończeniu ładowania odłącz ładowarkę z sieci i od akumulatora.

Akumulator litowo-jonowy można doładować w dowolnej chwili, nie powodując tym skrócenia jego żywotności. Przerwanie procesu ładowania nie niesie za sobą ryzyka uszkodzenia ogniw akumulatora.

W TRAKCIE PRACY:

■ Włączanie/wyłączanie

Zainstalowany włącznik (8) posiada płynną regulację prędkości obrotowej. Aby włączyć elektronarzędzie należy nacisnąć włącznik. Prędkość obrotowa będzie się zwiększała wraz z głębokością wciśnięcia przycisku. Aby zatrzymać elektronarzędzie należy zwolnić włącznik.

■ Wskaźnik pojemności akumulatora

Wskaźnik pojemności akumulatora (6) sygnalizuje stan naładowania baterii za pomocą trzech kolorowych diod LED.

Wszystkie diody LED świecą:

Akumulator jest całkowicie naładowany.

Świeci żółta i czerwona dioda LED:

Akumulator naładowany jest wystarczająco.

Świeci tylko czerwona dioda LED:

Akumulator jest rozładowany, należy go naładować.

■ Wybór kierunku obrotów (patrz rys. E)

Wiertarko-wkrętarka ma możliwość pracy z obrotem wkręcania zgodnie z ruchem wskazówek zegara (obroty prawe) lub sprzecznie z ruchem wskazówek zegara (obroty lewe):

- aby ustawić prawe obroty, należy przesunąć suwak przełącznika lewych / prawych obrotów (5) w lewo (patrząc z tyłu wiertarko-wkrętarki),
- aby ustawić lewe obroty, należy przesunąć suwak przełącznika lewych / prawych obrotów (5) w prawo (patrząc z tyłu wiertarko-wkrętarki).

Gdy przełącznik kierunku obrotów znajduje się w pozycji środkowej to włącznik jest zablokowany.

Do wiercenia i wkręcania wkrętów należy ustawić prawe obroty. Do wycofywania wiertła, wyjmowania zaklinowanego wiertła i wykręcania wkrętów należy ustawić lewe obroty.

■ Wybór momentu obrotowego (patrz rys. F)

Wiertarko-wkrętarka jest wyposażona w pierścieni (2), służący do ustawiania momentu obrotowego przy wkręcaniu wkrętów. Na pierścieniu jest zaznaczonych 18 pozycji, od 1 do 18.

Ustawienie pierścienia w wybranym położeniu (od 1 - 18) powoduje trwałe ustawienie sprężyny na określonej wielkości momentu obrotowego. Pozwala to na zabezpieczenie przed wkręceniem wkrętu zbyt głęboko lub uszkodzeniem wkrętu. Dla różnych wkrętów i różnych materiałów stosuje się różne wielkości momentu wkręcania.

Zawsze należy rozpoczynać z momentem o małej wielkości i powiększać moment stopniowo, aż do osiągnięcia zadawalającego rezultatu.

Aby wiercić w metalu, drewnie i tworzywie sztucznym należy ustawić pierścien (2) tak, aby znacznik (13) pokrywał się pozycją 18.

■ Przełączanie trybu pracy



UWAGA: Zmiany trybu pracy dokonywać tylko wtedy, gdy elektronarzędzie jest wyłączone! W przeciwnym razie elektronarzędzie może ulec uszkodzeniu.

Za pomocą pokrętła przełączania trybu pracy (3) można wybrać tryb pracy elektronarzędzia.

Aby zmienić tryb pracy należy przestawić przełącznik trybu pracy na żadaną pozycję, aż do słyszalnego zaskoczenia zapadki.

Wiercenie:

Przestawić pokrętło (3) na symbol

Wkręcanie:

Przestawić pokrętło (3) na symbol

■ Przełączanie biegów

Za pomocą przełącznika biegów (4) można wybrać 2 zakresy prędkości obrotowej.

Bieg I - dla wyższego momentu obrotowego, stosuje się do wiercenia.

Bieg II - dla niższego momentu obrotowego, stosowany jest do wkręcania lub wykrywania wkrętów.

UWAGA: Nie zmieniać pozycji przełącznika biegów (4) podczas pracy narzędzia, może to uszkodzić jego przekładnię. Zawsze należy pozwolić narzędziu na całkowite zatrzymanie przed zmianą nastawienia przełącznika biegów.

Jeżeli przełącznik biegów nie daje się przesunąć do oporu, należy nieznacznie poruszyć wrzecionem napędowym.

■ Wymiana uchwytu (patrz rys. G)

1. Odłączyć akumulator (10) od wkrętarki.
2. Maksymalnie otworzyć uchwyt (1).
3. Odkręcić wkrętakiem PH 2 (Philips Nr 2) zgodnie z ruchem wskazówek zegara śrubę mocującą uchwyt (14) (**UWAGA! Lewy gwint**). Zakleszczoną śrubę można zwolnić przez lekkie uderzenie w jej łeb.
4. Przytrzymać pierścien uchwytu i odkręcić uchwyt wiertarko-wkrętarki w kierunku przeciwnym do ruchu wskazówek zegara (patrz od strony uchwytu).

UWAGA: Zakleszczony szybkozaciśkowy uchwyt wiertarski (1) można zwolnić przez zamocowanie krótszą stroną w uchwycie klucza imbusowego i lekkie uderzenie w długie ramię klucza (patrz rys. D).

5. Aby założyć uchwyt należy nakręcić go na wrzeciono zgodnie z ruchem wskazówek zegara (patrz od strony uchwytu) i zabezpieczyć śrubą mocującą, przykręcając ją śrubokrętem PH 2 (Philips Nr 2) w kierunku przeciwnym do ruchu wskazówek zegara. Aby uchwyt się nie obracał w trakcie wkręcania śruby mocującej należy przytrzymać uchwyt za pierścien.

■ Oświetlenie pomocnicze

- Wiertarko-wkrętarka wyposażona jest w oświetlenie pomocnicze (9) miejsca wiercenia/wkręcania, które włącza się po przycisnięciu włącznika (8).

■ Wymiana narzędzi roboczych

UWAGA: Odłączyć akumulator od wkrętarki lub nastaw przełącznik kierunków obrotów (5) na pozycję środkową, aby zabezpieczyć się przed przypadkowym włączeniem maszyny, co może spowodować zranienie operatora.

Przy zwolnionym włączniku (8) następuje blokada wrzeciona

wiertarskiego. Umożliwia to szybką, wygodną i łatwą wymianę narzędzia roboczego w uchwycie wiertarskim. Aby wyjąć wiertło (lub końcówkę roboczą) z uchwytu należy obracać pierścien uchwytu w lewo, w celu powiększenia otworu w uchwycie. Aby zainstalować wiertło (lub końcówkę roboczą) do uchwytu należy obracać pierścien uchwytu w prawo aby uzyskać zaciśnięcie wiertła w uchwycie.

Wiertło (lub innego typu końcówkę roboczą) należy wkładać do uchwytu, do oporu.

■ Wiercenie otworów

1. Przy wykonywaniu głębokich otworów należy wiercić stopniowo, na mniejsze głębokości, wycofywać wiertło z otworu, aby umożliwić usunięcie wiórów z otworu.
2. Przy wierceniu otworu o dużej średnicy zaleca się rozpoczynać od wywiercenia otworu mniejszego, a później rozwiercenia go na pożądaną wymiar. Zapobiegnie to możliwości przecięcia wiertarki.
3. Jeśli dojdzie do zakleszczenia się wiertła, w czasie wiercenia, należy natychmiast wyłączyć wkrętarkę, aby nie dopuścić do jej uszkodzenia. Korzystając ze zmiany kierunku obrotów należy usunąć wiertło z otworu.
4. Należy utrzymywać wkrętarkę w osi wykonywanego otworu. Wiertło powinno być ustawione pod kątem prostym do powierzchni obrabianego materiału. W przypadku, nie zachowania prostopadłości, w czasie pracy, może dojść do zakleszczenia lub złamania się wiertła w otworze, a w końcowym przypadku do zranienia użytkownika. Regulacji prędkości obrotowej wrzeciona dokonuje się przez odpowiednią siłę nacisku na włącznik.

■ Wkręcanie wkrętów

Zaleca się wykonywanie najpierw otworu pilotującego, nieco głębszego od długości wkręta i o nieco mniejszej średnicy od średnicy zewnętrznej gwintu wkręta. W przypadku gdy wkręt znajduje się w sąsiedztwie krawędzi materiału, wykonanie otworu pilotującego zapobiega możliwości niepożądanego odprysnięcia materiału.

Jeśli przy wkręcaniu wystąpi trudność z zagłębieniem się wkręta, to należy wkręt wykręcić i powiększyć trochę otwór pilotujący.

Jeśli nadal wkręcanie przebiega z trudnością (co może wystąpić w przypadku twardych gatunków drewna) należy spróbować użyć środka smarującego (np. mydło w płynie). Należy wywierać odpowiedni nacisk na wkrętarkę, aby nie dopuścić do obracania się końcówki wkrętakowej względem ła wkręta. Stosować końcówki dokładnie dopasowane do ła wkręta. Uszkodzenia gniazda wkręta może uniemożliwić wkręcenie bądź wykręcenie wkręta.

PRZECHOWYWANIE I KONSERWACJA:

Elektronarzędzie w zasadzie nie wymaga specjalnych zabiegów konserwacyjnych. Wiertarko-wkrętarkę należy przechowywać w miejscu, niedostępnym dla dzieci, utrzymywać w stanie czystości, chronić przed wilgocią i zapyleniem. Warunki przechowywania powinny wykluczać możliwość uszkodzeń mechanicznych oraz wpływ szkodliwych warunków atmosferycznych.

UWAGA: Zawsze przed rozpoczęciem czynności czyszczenia i konserwacji należy odłączyć akumulator od wiertarko-wkrętarki i wyjąć wtyczkę ładowarki z gniazda zasilającego.

Ładowarkę należy czyścić tylko przy użyciu suchej szmatki.

Przy wiertarko-wkrętarkę należy czyścić okresowo otwory wentylacyjne przy użyciu suchej szczoteczki lub szmatki. Należy okresowo zdemontować uchwyt wiertarski i wysypać z wnętrza pył i inne

zanieczyszczenia.

Obudowę wiertarko-wkrętarki okresowo czyścić wilgotną ściereczką z niewielką ilością mydła aby usunąć pył i inne zanieczyszczenia. Nie używać żadnych środków czyszczących ani rozpuszczalników; mogą one uszkodzić części urządzenia wykonane z tworzywa sztucznego. Należy uważać, aby do wnętrza urządzenia nie dostała się woda. Po czyszczeniu odczekać aż wiertarko-wkrętarka całkowicie wyschnie.

TRANSPORT:

Elektronarzędzie transportować i składować w opakowaniu transportowym, chroniącym przed wilgocią, wnikaniem pyłu i drobnych obiektów, zwłaszcza należy zabezpieczyć otwory wentylacyjne. Drobne elementy, które dostaną się wewnątrz obudowy mogą uszkodzić silnik.

OCHRONA ŚRODOWISKA:



UWAGA: Przedstawiony symbol oznacza zakaz umieszczania zużytego sprzętu łącznie z innymi odpadami (z zagrożeniem karą grzywny). Składniki niebezpieczne znajdujące się w sprzęcie elektrycznym i elektronicznym wpływają negatywnie na środowisko naturalne i zdrowie ludzi.

Gospodarstwo domowe powinno przyczyniać się do odzysku i ponownego użycia (recyklingu) zużytego sprzętu. W Polsce i w Europie tworzony jest lub już istnieje system zbierania zużytego sprzętu, w ramach którego wszystkie punkty sprzedaży ww. sprzętu mają obowiązek przyjmować zużyty sprzęt. Ponadto istnieją punkty zbiórki ww. sprzętu.

PIKTOGRAMY:

Objaśnienia ikon znajdujących się na tabliczce znamionowej i naklejkach informacyjnych na urządzeniu:



«Przed uruchomieniem należy przeczytać instrukcję obsługi»



«Stosować środki ochrony słuchu»



«Zawsze stosować okulary ochronne»



«Stosować maskę przeciwpyłową»



«Stosować rękawice ochronne»



«Akumulator należy chronić przed wysokimi temperaturami, np. przed stałym nasłonecznieniem.»



«Nie wrzucać akumulatorów do ognia.»



«Nie wrzucać akumulatorów do wody.»

PRODUCENT:

PROFIX Sp. z o.o.

ul. Marywilska 34,

03-228 Warszawa

Niniejsze urządzenie jest zgodne z normami krajowymi i europejskimi, oraz z wytycznymi bezpieczeństwa.

Wszelkie naprawy muszą być przeprowadzane przez wykwalifikowany personel, używając oryginalnych części zamiennych.

TYPOWE USTERKI I ICH USUWANIE:

PROBLEM	MOŻLIWA PRZYCZYNA	ROZWIĄZANIE PROBLEMU
Wiertarko-wkrętarka nie działa.	Brak zasilania, uszkodzenie silnika lub włącznika.	Sprawdzić stan baterii, w razie potrzeby doładować lub wymienić na nową. Jeżeli elektronarzędzie nadal nie działa, należy je wysłać do serwisu naprawczego na adres podany w karcie gwarancyjnej.
Zakłócenia w pracy silnika.	Rozładowana bateria.	Doładować baterię.
	Zużyte szczotki węglowe.	Wymienić szczotki węglowe w serwisie naprawczym.



Polityka firmy PROFIX jest polityką stałego udoskonalania swoich produktów i dlatego firma rezerwuje sobie prawo zmiany specyfikacji wyrobu bez uprzedniego zawiadomienia. Obrazki, podane w instrukcji obsługi, są przykładowymi i mogą się nieznacznie różnić od rzeczywistego wyglądu zakupionego urządzenia.

Niniejsza instrukcja jest chroniona prawem autorskim. Kopiowanie/ powielanie jej bez pisemnej zgody firmy Profix Sp. z o.o. jest zabronione.



ИНСТРУКЦИЯ ПО ЭКСПЛУАТАЦИИ АККУМУЛЯТОРНАЯ ДРЕЛЬ-ШУРУПОВЕРТЗВ12


Перевод оригинальной инструкции



ПЕРЕД НАЧАЛОМ ЭКСПЛУАТАЦИИ НЕОБХОДИМО ОЗНАКОМИТЬСЯ С НАСТОЯЩЕЙ ИНСТРУКЦИЕЙ.

Хранить инструкцию для возможного применения в будущем.



ПРЕДУПРЕЖДЕНИЕ! Необходимо ознакомиться со всеми предупреждениями, касающимися безопасности при эксплуатации, обозначенными символом  и всеми указаниями по технике безопасности.

Несоблюдение указанных ниже предупреждений, касающихся безопасности и указаний по технике безопасности может привести к поражению электрическим током, пожару и/или серьезным травмам тела.

Необходимо хранить все предупреждения и указания, касающиеся техники безопасности, чтобы можно было воспользоваться ними в будущем.

В указанных ниже предупреждениях слово „электроинструмент“ означает электроинструмент с питанием от сети (посредством электрического кабеля) или электроинструмент, питаемый от аккумулятора (беспроводное питание).



ПРЕДУПРЕЖДЕНИЕ! Общие предупреждения, касающиеся безопасности при эксплуатации инструмента.

Техника безопасности на рабочем месте:

- Необходимо поддерживать порядок и хорошее освещение на рабочем месте. Беспорядок и плохое освещение являются причиной несчастных случаев.
- На следует использовать электроинструмент во взрывоопасной среде, образующейся легко воспламеняющимися жидкостями, газами или пылью. Электроинструмент создаёт искры, которые могут привести к воспламенению пыли или испарений.
- Не допускать детей и наблюдателей в места, в которых применяются электроинструменты. Отвлечение внимания может привести к потере контроля над электроинструментом.



ПРЕДУПРЕЖДЕНИЕ! Общие предупреждения, касающиеся безопасности при эксплуатации инструмента.

Электробезопасность:

- Штепсельные вилки должны соответствовать сетевым розеткам. Ни в коем случае не переделывать каким-либо образом штепсельную вилку. Не применять каких-либо удлинителей электропитания в случае использования электроинструментов, имеющих провод электропитания с защитным заземляющим проводником. Отсутствие переделок штепсельных розеток и сетевых розеток снижает опасность поражения электрическим током.
- Необходимо избегать прикосновения к поверхности заземлённых или закороченных на массу элементов, таких как трубы, нагреватели, радиаторы центрального отопления и холодильные агрегаты. В случае прикосновения заземлённого или закороченного на массу элемента увеличивается опасность поражения электрическим током.
- Не подвергать электроинструменты воздействию дождя

или влажных условий. В случае попадания в электроинструмент воды увеличивается опасность поражения электрическим током.

- Не создавать опасности повреждения кабеля электропитания. Ни в коем случае не использовать кабеля электропитания, чтобы переносить или тянуть электроинструмент или для извлечения штепсельной вилки из розетки. Кабель электропитания должен находиться вдали от источников тепла, масел, острых краёв и движущихся частей. Повреждённые или запутанные кабели электропитания увеличивают опасность поражения электрическим током.
- Если электроинструмент эксплуатируется на свежем воздухе, следует использовать удлинители кабеля электропитания, предназначенные для работы вне помещений. Использование удлинителя кабеля электропитания, предназначенного для работы вне помещений, снижает опасность поражения электрическим током.
- Рекомендуется подключение устройства к электрической сети, снабженной выключателем остаточного тока (RCD) с током выключения 30 мА или менее.
- Если эксплуатация электроинструмента во влажной среде неизбежна, в качестве защиты от напряжения питания необходимо использовать защитное устройство по разностному току (RCD). Применение защитного устройства по разностному току снижает опасность поражения электрическим током.



ПРЕДУПРЕЖДЕНИЕ! Общие предупреждения, касающиеся безопасности при эксплуатации инструмента.

Индивидуальная безопасность:

- Настоящее оборудование не предназначено для эксплуатации лицами (включая детей) с физическими, сенсорными или умственными ограничениями или лицами, не имеющими опыта или не знающими оборудования, разве что это осуществляется под надзором или в соответствии с инструкцией по эксплуатации оборудования, переданной лицами, отвечающими за их безопасность.
- Необходимо быть предусмотрительным, наблюдать за работой и руководствоваться здравым смыслом во время эксплуатации электроинструмента. Не следует эксплуатировать электроинструмент в состоянии переутомления или находясь под действием наркотиков, алкоголя или лекарств. Менюение невнимания во время эксплуатации электроинструмента может быть причиной травмы пользователя.
- Необходимо применять средства личной защиты. Необходимо обязательно работать с защитными очками. Применение в соответствующих условиях средств личной защиты, таких как противовыпальный респиратор, противоскользящая обувь, каска или средства защиты слуха снизит риск получения травмы.
- Необходимо избегать случайного запуска в работу.

Прежде чем вставить вилку кабеля электропитания в сетевую розетку или подключить аккумулятор, а также перед тем, как поднять или перенести электроинструмент, необходимо убедиться, что выключатель электроинструмента находится в положении «выключено». Перенос электроинструмента с пальцем на выключателе или подключение электроинструмента к сети питания при включенном выключателе может привести к несчастному случаю.

- д) Прежде, чем запустить электроинструмент в работу, необходимо устранить все ключи. Ключ, оставшийся во вращающейся части электроинструмента, может привести к травме пользователя.
- е) Не следует слишком сильно наклоняться. Необходимо всё время сохранять устойчивость и равновесие. Это позволяет лучше контролировать электроинструмент в неожиданных ситуациях.
- ж) Необходимо иметь соответствующую одежду. Не работать в свободной одежде или с бижутерией. Необходимо, чтобы волосы пользователя, его одежда и рукавицы находились вдали от движущихся элементов. Свободная одежда, бижутерия или длинные волосы могут быть зацеплены движущимися частями.
- з) Если оборудование приспособлено для присоединения внешнего пылеотвода (пылеулавливающего устройства) и поглотителя пыли, необходимо убедиться, что они присоединены и правильно применяются. Применение поглотителей пыли может уменьшить опасность, связанную с запыленностью.
- и) Не позволяйте, чтобы навыки, приобретенные благодаря частому пользованию электроинструментом, позволили Вам почувствовать себя самоуверенно и проигнорировать правила техники безопасности. Неосторожные действия могут вызвать серьезные травмы в течение доли секунды.



ПРЕДУПРЕЖДЕНИЕ! Общие предупреждения, касающиеся безопасности при эксплуатации инструмента.

Эксплуатация и уход за электроинструментом:

- а) Не допускать перегрузки электроинструмента. Применять электроинструмент с мощностью, соответствующей выполняемой работе. Надлежащий электроинструмент позволит лучше и безопаснее работать при нагрузке, на которую он рассчитан.
- б) Не следует применять электроинструмент, если его выключатель не включается и не выключается. Каждый электроинструмент, который не может включаться или выключаться выключателем, представляет опасность и должен быть передан на ремонт.
- в) Необходимо отсоединить штепсельную вилку от источника питания электроинструмента и/или отсоединить аккумулятор прежде чем выполнить какую-либо установку, замену части или складирование устройства. Такие предупредительные меры безопасности снижают риск случайного запуска электроинструмента в работу.
- г) Неиспользуемый электроинструмент следует хранить в недоступном для детей месте и не разрешать тем, кто незнаком с электроинструментом или настоящей

инструкцией, пользоваться электроинструментом. Электроинструмент опасен в руках необученных пользователей.

- д) Следует выполнять технический уход за электроинструментом. Необходимо проверить соосность или отсутствие заедания (защемления) подвижных элементов, трещин частей, а также все другие факторы, могущие влиять на работу электроинструмента. В случае обнаружения неисправности, необходимо выполнить ремонт электроинструмента. Причиной многих несчастных случаев является непрофессиональный способ выполнения технического ухода.
- е) Режущий инструмент должен быть острым и чистым. Соответствующее содержание и уход за острыми кромками режущего инструмента снижает вероятность защемления и упрощает обслуживание.
- ж) Электроинструмент, оснащение, рабочие инструменты и т. п. необходимо применять в соответствии с настоящей инструкцией, учитывая рабочие условия и вид выполняемой работы. Применение электроинструмента не по назначению может привести к опасным ситуациям.
- з) При низкой температуре или после длительного перерыва в эксплуатации рекомендуется включение электроинструмента без нагрузки на несколько минут с целью распределения смазки в механизме привода.
- и) Для чистки электроинструмента применять мягкую, влажную (не мокрую) тряпку и мыло. Не применять бензина, растворителей и других средств, могущих повредить устройство.
- й) Электроинструмент следует хранить/ транспортировать, убедившись, что все его подвижные элементы заблокированы и защищены от разблокировки при помощи оригинальных элементов, предназначенных для этой цели.
- к) Электроинструмент должен храниться в сухом месте и быть защищенным от пыли и проникания влаги.
- л) Транспортировку электроинструмента необходимо выполнять в оригинальной упаковке, защищающей от механических повреждений.
- м) Держатели и хватательные поверхности следует содержать в чистоте, устранив с них масло и смазку. Скользкие держатели и хватательные поверхности не позволяют безопасно держать инструмент и контролировать его в случае возникновения неожиданных ситуаций.



ПРЕДУПРЕЖДЕНИЕ! Общие предупреждения, касающиеся безопасности при эксплуатации инструмента.

Ремонт:

- а) Гарантийный и послегарантийный ремонт своих электроинструментов выполняет сервисная служба компании PROFIX, что гарантирует высочайшее качество ремонта и использование оригинальных запчастей.



ПРЕДУПРЕЖДЕНИЕ! Аккумуляторная дрель-шуруповерт, предупреждения по технике безопасности –

Индивидуальная безопасность:

- а) Во время работы с дрелью-шуруповертом применяйте

средства защиты слуха. Длительное воздействие шума может привести к потере слуха.

- б) Выполняя работы, при которых рабочий инструмент или винт могут попасть на скрытую электропроводку или на собственный кабель электропитания, электроинструмент следует держать за изолированную поверхность рукоятки. Прикосновение к проводу сети питания (кабелю электропитания), находящемуся под напряжением, может привести к попаданию напряжения на металлические части электроинструмента, а это несёт опасность поражения электрическим током.
- в) Следует применять соответствующие приборы для обнаружения скрытых проводов сети питания и попросить о помощи городские коммунальные службы. Контакт с проводами, находящимися под напряжением, может привести к пожару или поражения электрическим током. Повреждение газопроводной трубы может привести к взрыву. Проникновение в водопроводную трубу ведёт к материальным потерям и может привести к поражению электрическим током.
- г) Не обрабатывайте материалы с содержанием асбеста. Асбест является канцерогеном и вызывает раковые заболевания.
- д) Необходимо поддерживать чистоту в месте выполнения работы. Смеси материалов представляют особую опасность. Пыль лёгких металлов может воспламениться или взорваться.
- е) Необходимо закрепить обрабатываемый предмет. Проверить, все ли крепящие зажимы зажаты и убедиться, что нет слишком большого зазора. Закрепление обрабатываемого предмета в крепящем устройстве или тисках более безопасно, чем удерживание его рукой.
- ж) Во время работы следует прочно держать электроинструмент двумя руками за основную и вспомогательную рукоятку и сохранять устойчивое положение. Перемещение электроинструмента безопасно, если выполняется обеими руками.
- з) Следует немедленно отключить электроинструмент, если заблокируется используемый рабочий инструмент. Необходимо быть готовым к большим вибрациям, в результате которых может произойти отброс. Блокировка применяемого рабочего инструмента может произойти, если электроинструмент перегружен или если будет иметь место его искривление в обрабатываемом предмете.
- и) Не откладывать электроинструмент, пока он не остановится. Может произойти блокировка рабочего инструмента, в результате чего будет потерян контроль над электроинструментом.


Инструкции по безопасности при использовании длинных свёрл:

- а) Категорически запрещается работать на скорости, превышающей максимальную скорость вращения сверла. Обязательно начинайте сверление на низкой скорости и после контакта сверла с обрабатываемой деталью. На более высоких скоростях вращения сверло может согнуться, если оно свободно вращается без контакта с обрабатываемой деталью, что может привести к травме.
- б) При сверлении прижимайте сверло к обрабатываемой детали на одной линии со сверлом, не прижимайте сверло слишком сильно. Сверла могут гнуться, вызывая повреждение или потерю контроля, что может привести к травме.



ПРЕДУПРЕЖДЕНИЕ! Техника безопасности при эксплуатации аккумуляторов и зарядных устройств.

Эксплуатация аккумуляторов:

- а) Необходимо применять только аккумуляторы, соответствующие прилагаемой производителем спецификации. В случае применения других аккумуляторов существует опасность, что корпус аккумулятора треснет и развалится, может иметь место травма тела или пожар.
 - б) **ВНИМАНИЕ:** В случае повреждения и неправильной эксплуатации аккумулятора может иметь место выделение взрывоопасных газов. Аккумулятор должен всегда находиться вдали от источника огня. Необходимо обеспечить надлежащую вентиляцию в процессе его зарядки. Запрещено оставлять его на длительное время в среде с высокой температурой (в местах с интенсивным солнечным излучением, вблизи радиаторов или там, где температура превышает 40 градусов).
 - в) Зарядка аккумулятора должна осуществляться при температуре 15-25 °С.
 - г) Аккумулятор следует заряжать только при помощи зарядного устройства, имеющегося в комплекте с электроинструментом. В случае применения других зарядных устройств существует опасность, что корпус аккумулятора может треснуть и разорваться, возможна травма тела или пожар.
 - д) Хранить аккумуляторы от воздействия воды и влаги.
 - е) Если необходимо зарядить больше одного аккумулятора, требуется сделать 30-минутный перерыв между очередными зарядками.
 - ж) Категорически запрещено вскрывать аккумулятор.
 - з) При неблагоприятных условиях из аккумулятора может вытекать жидкость. Необходимо избегать контакта с жидкостью. Если случайно произойдёт попадание жидкости на пользователя, место попадания необходимо промыть водой. Если жидкость попадёт в глаза, необходимо, кроме того, обратиться за помощью к врачу. Вытекающая из аккумулятора жидкость может привести к раздражению кожи или ожогу.
 - и) Если аккумуляторная батарея не используется, необходимо хранить её вдали от металлических предметов, таких как металлические скрепки, монеты, ключи, гвозди, винты или малые металлические элементы, которые могут привести к короткому замыканию контактов (клемм) аккумуляторов. Короткое замыкание контактов (клемм) аккумулятора может привести к ожогу или пожару.
 - к) Не бросать аккумуляторы в огонь.
 - л) Запрещено заряжать повреждённый аккумулятор.
-  Аккумуляторы предназначены для многократной зарядки, они содержат вредный для окружающей среды литий.
- После завершения срока службы необходимо утилизировать аккумуляторы в соответствии с предписаниями по охране окружающей среды.
- Для этого необходимо полностью разряженный аккумулятор извлечь из электроинструмента, сдать в пункт сбора отработанных аккумуляторов или сдать в магазин, в котором он был приобретён.

Эксплуатация зарядного устройства:

- а) Зарядку следует осуществлять только при помощи зарядного устройства, рекомендуемого производителем. Применение зарядного устройства, предназначенного для зарядки аккумуляторных батарей другого типа, может привести к пожару.
- б) Запрещено раскручивать (разбирать) зарядное устройство.
- в) Зарядное устройство предназначено только для работы внутри помещения. Нельзя подвергать его воздействию воды или влаги.
- г) Выполнять зарядку только в диапазоне температуры 15-25 градусов.
- д) Запрещено вкладывать какие-либо металлические предметы в зарядное устройство.

ПРЕДНАЗНАЧЕНИЕ И КОНСТРУКЦИЯ ДРЕЛИ-ШУРУПОВЕРТА:

Аккумуляторная дрель-шуруповерт предназначена для ввинчивания и вывинчивания шурупов и саморезов, сверления отверстий в таких материалах, как сталь, древесина, пластмассы и т.п.

Дрель-шуруповерт предназначена исключительно для бытовых целей. **Запрещено применять её для работ, требующих применения профессионального инструмента.**

Каждое применение устройства, несоответствующее указанному выше назначению, запрещено и ведёт к потере гарантии и отсутствию ответственности производителя за возникший в результате этого ущерб.

Какие-либо модификации устройства, выполненные пользователем, освобождают производителя от ответственности за повреждения и ущерб, причинённый пользователю и окружающей среде.

Даже применяя устройство по назначению, нельзя полностью исключить определённых факторов остаточного риска. С учётом конструкции устройства может иметь место следующая опасность:

- Прикосновение в процессе работы вращающегося сверла рукой или одеждой оператора.
- Возможность ожога при смене сверла. (В процессе работы сверло сильно разогревается и чтобы избежать ожогов при его смене, необходимо применять защитные рукавицы).
- Отбрасывание обрабатываемого предмета или его части.
- Искривление или поломка сверла.

■ Состав комплекта:

- Аккумуляторная дрель-шуруповерт - 1 шт.
- Аккумулятор - 1 шт.
- Зарядное устройство - 1 шт.
- Гарантийная карта - 1 шт.
- Инструкция по эксплуатации - 1 шт.

■ Элементы устройства

Нумерация элементов устройства относится к рисункам, находящимся на странице 2 инструкции по обслуживанию:

- Рис.А**
1. Быстрозажимной сверлильный патрон
 2. Муфта установки крутящего момента
 3. Муфта изменения режима работы

4. Переключатель скоростей
5. Переключатель направления вращения
6. Индикатор ёмкости батареи
7. Рукоятка
8. Включатель
9. Вспомогательное освещение

Рис.В 10. Аккумулятор

11. Кнопки разблокировки аккумулятора

Рис.С 12. Зарядное устройство

Рис.Е 13. Указатель установки крутящего момента и режима работы

Рис.Б 14. Крепящий винт с левой резьбой

15. Шпиндель

ТЕХНИЧЕСКИЕ ПАРАМЕТРЫ:

МОДЕЛЬ	VZV12
Напряжение питания	DC 12 В
Частота вращения без нагрузки	0-350/0-1300мин ⁻¹
Макс. вращающий момент	25Нм
Диапазон зажима сверлильного патрона	∅ 0,8-10 мм
Вес (с аккумулятором)	1,02кг
Уровень звукового давления (LpA)	76,3 дБ(A)
Уровень звуковой мощности (LwA)	87,3 дБ(A)
Погрешность измерения КpA, KwA	3 дБ(A)
Уровень вибрации согл.: EN 62841-2-1 (погрешность измерения K=1,5 м/с ²)	a _{гв} = 1,44 м/с ²
Тип аккумулятора	Li-ion (Литий-ионный)
Напряжение заряда батареи	12В
Ёмкость аккумулятора	1300мАч
Зарядное устройство	
Напряжение питания	100-240В/0,3А
Частота тока	50/60Гц
Выходное напряжение (DC)	22В/0,5А
Время зарядки	3ч

Указанный уровень вибрации соответствует основным применениям электроинструмента. Если электроинструмент будет использован для других применений или с другими рабочими инструментами, а также, если не будет выполнен соответствующий технический уход, уровень вибрации может отличаться от указанного. Указанные выше причины могут привести к усилению воздействия вибраций в течение всего времени работы.

Необходимо применять дополнительные меры безопасности с целью защиты оператора от воздействия вибрации, а именно: технический уход за электроинструментом и рабочими инструментами, обеспечение соответствующей температуры рук, определение очередности рабочих операций.

Заявленное общее значение вибрации и заявленные значения эмиссии шума были измерены в соответствии со стандартным методом испытаний и могут быть использованы для сравнения одного инструмента с другим.

Заявленные общие значения вибрации и заявленные значения эмиссии шума можно использовать в предварительной оценке

подверженности опасности.

Предупреждения:

Вибрация и эмиссия шума во время практического использования электроинструмента могут отличаться от заявленных значений в зависимости от способа, которым инструменты используются, в особенности от типа обрабатываемого предмета.

Следует определить средства безопасности с целью защиты оператора, которые основываются на расчете уровня подверженности опасности в состоянии реального использования (учитывая все этапы операционного цикла, в ходе которых инструмент выключен и когда работает на холостом ходу, за исключением времени высвобождения).

ПРЕЖДЕ ЧЕМ ПРИСТУПИТЬ К РАБОТЕ:

■ Зарядка аккумулятора

Дрель-шуруповёрт поставляется с частично заряженным аккумулятором. Прежде чем начать её использование, необходимо зарядить аккумулятор. Первую зарядку рекомендуется выполнять не менее 3-х часов.

1. Нажмите кнопки разблокировки аккумулятора (11), и извлеките аккумулятор (10) из дрели-шуруповёрта (см. рис. В).
2. Подключите аккумулятор (10) к зарядному устройству (12) (см. рис. С).
3. Подключите штепсельную вилку зарядного устройства к сетевой розетке 100-240 В, 50/60 Гц.

■ Сигнализация зарядки батареи

Свечение **зелёного** светодиода означает, что зарядное устройство подключено к источнику питания. После подключения аккумулятора загорится **красный** светодиод, указывающий, что выполняется зарядка.

Когда аккумуляторная батарея будет полностью заряжена красный светодиод погаснет и загорится зелёный светодиод.

В процессе зарядки ток зарядки автоматически уменьшается. Примерно через 3 часа ток зарядки стабилизируется на минимальном уровне (поддерживающая зарядка), что предотвращает возможную перезарядку и повреждение аккумулятора.

После окончания зарядки, отключить аккумулятор от сети и извлечь аккумулятор.

Литий-ионный аккумулятор можно заряжать в произвольный момент, без снижения в результате этого его долговечности. Прекращение процесса зарядки не несёт риска повреждения элементов аккумулятора.

ВОВРЕМЯ РАБОТЫ:

■ Включение/выключение

Установленный выключатель (8) имеет плавную регулировку частоты вращения.

Чтобы включить электроинструмент, необходимо нажать выключатель. При увеличении глубины нажатия кнопки увеличивается частота вращения. Для остановки электроинструмента выключатель необходимо отпустить.

■ Индикатор ёмкости батареи

Индикатор ёмкости батареи (6) показывает уровень заряда батареи с помощью трех цветных светодиодов.

Светятся все светодиоды:

Аккумулятор полностью заряжен.

Светится жёлтый и красный светодиоды:

Аккумулятор заряжен достаточно.

Светится только красный светодиод:

Аккумулятор разряжен, требуется его зарядка.

■ Выбор направления вращения (см. рис. E)

Дрель-шуруповёрт может вращаться в направлении ввинчивания, по часовой стрелке (правое вращение), или в направлении вывинчивания - против часовой стрелки (левое вращение):

- чтобы установить правое вращение, необходимо переместить ползунок переключателя левое / правое вращение (5) влево (если смотреть сзади дрели),

- чтобы установить левое вращение, необходимо переместить ползунок переключателя левое / правое вращение (5) вправо (если смотреть сзади дрели).

Если переключатель направления вращения находится в центральном положении, выключатель заблокирован.

Для сверления и ввинчивания шурупов (винтов) необходимо установить правое вращение. Для извлечения сверла, освобождения заклинившего сверла и для вывинчивания шурупов необходимо установить левое вращение.

■ Выбор крутящего момента (см. рис. F)

Дрель-шуруповёрт имеет регулировочную муфту (2), предназначенную для установки крутящего момента при ввинчивании шурупов (винтов). На регулировочной муфте обозначено 18 позиций: от 1 до 18.

Установка регулировочной муфты в выбранной позиции (1-18) обеспечивает надёжную и стабильную установку передачи на определённую величину крутящего момента. Это позволяет предотвратить слишком глубокое ввинчивание шурупа или повреждение шурупа (винта). Для разных шурупов (винтов) и разных материалов применяются разные величины крутящего момента при ввинчивании.

Всегда необходимо начинать от малого вращающего момента и постепенно увеличивать его до получения удовлетворительного результата.

Чтобы сверлить в металле, древесине и пластмассе необходимо установить муфту (2) так, чтобы указатель (13) совпал с позицией 18.

■ Переключение режима работы



ВНИМАНИЕ: Меняйте режим работы только при выключенном электроинструменте! В противном случае электроинструмент может быть поврежден.

Вы можете выбрать режим работы электроинструмента с помощью муфты изменения режима работы (3).

Чтобы изменить режим работы, установите муфту изменения режима работы в нужное положение до щелчка защелки.

Сверление:

Установите муфту (3) на символ

Завинчивание:

Установите муфту (3) на символ

■ Переключение скорости

При помощи переключателя скоростей (4) можно выбрать два

предела частоты вращения.

Скорость I: для более высокого крутящего момента, применяется для сверления.

Скорость II: для более низкого крутящего момента, применяется для ввинчивания или вывинчивания шурупов и винтов.

ВНИМАНИЕ: Не изменять позицию переключателя скорости (4) во время работы электроинструмента, это может повредить его механизм передачи. Прежде чем изменять установку переключателя скоростей, необходимо дождаться полной остановки вращения электроинструмента.

Если переключатель скорости невозможно переместить до упора, необходимо слегка повернуть приводной шпиндель.

■ Смена патрона (см. рис. G)

1. Отсоединить аккумулятор (10) от дрели-шуруповёрта.
2. Максимально раскрыть патрон (1).
3. Отвинтить отвёрткой PH 2 (Philips № 2) крепящий патрон винт (14), вращая его по часовой стрелке. **(ВНИМАНИЕ! Левосторонняя резьба).** Завершив винт можно ослабить слегка ударив в его головку.
4. Придержав муфту патрона и отвинтив патрон дрели-шуруповёрта, вращая его против часовой стрелки (если смотреть со стороны патрона).

ВНИМАНИЕ: В случае заклинивания быстрозажимного сверлильного патрона (1) на шпинделе, его можно освободить закрутив в нём более короткое плечо шестигранного ключа и легко ударяя в длинное плечо ключа (см. рис. D).

5. Чтобы установить патрон необходимо навинтить его на шпиндель, вращая по часовой стрелке (если смотреть со стороны патрона) и зафиксировать крепящим винтом, завинчивая его отвёрткой PH 2 (Philips № 2) вращением против часовой стрелки. Чтобы патрон не вращался в процессе ввинчивания крепящего винта, необходимо придержать патрон за муфту.

■ Вспомогательное освещение

- Дрель-шуруповёрт оснащена вспомогательной подсветкой (9) места сверления/ввинчивания, включающейся при нажатии выключателя (8).

■ Смена рабочих инструментов

ВНИМАНИЕ: Отключить аккумулятор от дрели или установить переключатель направления вращения (5) в среднее положение, чтобы предохранить от случайного включения электроинструмента, что может привести к травме пользователя.

При отпущенном выключателе (8) шпиндель дрели находится в заблокированном состоянии. Это позволяет быстро, удобно и просто выполнять смену рабочего инструмента в сверлильном патроне. Для извлечения сверла (или рабочего наконечника) из патрона необходимо одной рукой вращать кольцо патрона влево, чтобы увеличить посадочное отверстие в патроне. Чтобы вставить сверло (или рабочий наконечник) в патрон необходимо вращать кольцо патрона вправо для зажатия сверла (рабочего наконечника) в патроне.

Сверло (или другой рабочий наконечник) необходимо вкладывать в патрон до упора.

■ Сверление отверстий

1. При выполнении глубоких отверстий необходимо сверлить

постепенно, на меньшую глубину, извлекая сверло из отверстия, что позволяет удалять стружку из отверстия.

2. При сверлении отверстий большого диаметра рекомендуется начинать от сверления меньшего отверстия, а затем рассверлить его до требуемого размера. Это предотвратит возможную перегрузку дрели.

3. Если произойдёт защемление сверла в процессе сверления необходимо немедленно выключить дрель, чтобы не допустить её повреждения. Используя изменение направление вращения необходимо устранить сверло из отверстия.

4. Необходимо удерживать дрель вдоль оси выполняемого отверстия. Сверло должно находиться под прямым углом к поверхности обрабатываемого материала. В случае не соблюдения перпендикулярности во время работы может наступить защемление или поломка сверла в отверстии, а в крайних случаях травма пользователя.

Регулировка частоты вращения шпинделя осуществляется изменением силы нажима на выключатель.

■ Ввинчивание шурупов:

Рекомендуется предварительно выполнить направляющее отверстие, глубиной немного больше, чем длина шурупа, и диаметром немного меньше внешнего диаметра резьбы шурупа. Если шуруп находится вблизи края материала, выполнение направляющего отверстия предотвращает возможное откалывание материала.

Если при ввинчивании появятся трудности с углублением шурупа, необходимо вывинтить шуруп и несколько увеличить направляющее отверстие.

Если ввинчивание и дальше происходит с трудом (это может иметь место в случае твёрдых пород дерева) необходимо попытаться использовать смазывающее средство (напр. мыльный раствор). Необходимо оказывать необходимый нажим на дрель-шуруповёрт, чтобы не допустить вращения отвёрточного наконечника относительно головки шурупа. Применять отвёрточные наконечники точно подходящие к головке шурупа. Повреждение гнезда шурупа может сделать невозможным ввинчивание или вывинчивание шурупа.

ХРАНЕНИЕ И ТЕХНИЧЕСКИЙ УХОД:

Аккумуляторная дрель-шуруповёрт в принципе не требует специальных процедур по техническому уходу. Дрель следует хранить в месте, недоступном для детей, содержать в чистоте, защищать от влаги и попадания пыли. Условия хранения должны исключать возможность механических повреждений и влияния атмосферных условий.

ВНИМАНИЕ: Прежде чем начать процедуры чистки и технического ухода необходимо отключить аккумулятор от дрели-шуруповёрта и извлечь штепсельную вилку зарядного устройства из розетки.

Зарядное устройство нужно чистить при помощи сухой тряпочки.

Вентиляционные отверстия электроинструмента очищать сухой щёткой или тряпочкой.

Периодически демонтировать патрон и высыпать из его отверстия пыль и другие загрязнения.

Корпус инструмента следует чистить влажной тряпкой с небольшим количеством мыла. Не применять каких-либо

чистящих средств или растворителей; они могут повредить части устройства, изготовленные из пластмассы. После чистки дождаться, пока инструмент полностью высохнет.

ТРАНСПОРТИРОВКА:

Электроинструмент следует транспортировать и складировать в транспортном чемодане, защищающем от влаги, проникновения пыли и мелких объектов, особенно необходимо защитить вентиляционные отверстия. Мелкие элементы, попавшие вовнутрь корпуса, могут повредить двигатель.

ЗАЩИТА ОКРУЖАЮЩЕЙ СРЕДЫ:



ВНИМАНИЕ: Указанный символ означает запрет размещения использованных электроинструментов вместе с другими отходами (за это грозит наказание в виде штрафа). Опасные компоненты, имеющиеся в электрическом и электронном оборудовании, отрицательно влияют на окружающую среду и здоровье.

Домашнее хозяйство должно способствовать восстановлению и повторному использованию (рециклированию) использованного оборудования. В Польше и в Европе создаётся или уже существует система сбора использованного оборудования, предусматривающая, что все пункты продажи в/у оборудования обязаны принимать использованное оборудование. Кроме того, имеются пункты приёма в/у оборудования.

ПИКТОГРАММЫ:

Описание знаков, имеющихся на щитке и информационных наклейках на электроинструменте:



«Перед включением и началом работы необходимо прочитать инструкцию по эксплуатации»



«Во время работы рекомендуется применять соответствующие средства защиты слуха»



«Использовать защитные очки во время работы»



«Использовать средства защиты верхних дыхательных путей»



«Использовать средства защиты рук»



«Не выбрасывайте аккумуляторы в огонь»



«Защищайте аккумуляторную батарею от высоких температур, напр., от длительного нагревания на солнце.»



«Не выбрасывайте аккумуляторы в воду»

ПРОИЗВОДИТЕЛЬ:

PROFIX Sp. z o.o.

ul. Marywilska 34, 03-228 Warszawa, Польша

Настоящее устройство соответствует польским и европейским стандартам, а также указаниям по технике безопасности.

Все работы по ремонту должны выполняться квалифицированным персоналом с применением оригинальных запасных частей.

ТИПИЧНЫЕ НЕИСПРАВНОСТИ И ИХ УСТРАНЕНИЕ:

ПРОБЛЕМА	ВОЗМОЖНАЯ ПРИЧИНА	РЕШЕНИЕ ПРОБЛЕМЫ
Дрель-шуруповерт не работает.	Отсутствие питания, повреждение электродвигателя или выключателя.	Проверить состояние батареи, в случае необходимости выполнить её подзарядку или заменить на новую. Если электроинструмент всё равно не работает, необходимо отправить его в сервисный пункт по указанному в гарантийной карте адресу.
Нарушение работы электродвигателя.	Разряжена батарея.	Зарядить батарею.
	Изношены угольные щётки.	Заменить угольные щётки в сервисном пункте.



Политика компании PROFIX - это политика постоянного совершенствования своих изделий, поэтому компания сохраняет за собой право изменения спецификации изделия без предварительного уведомления. Изображения, имеющиеся в инструкции, являются примерными и могут незначительно отличаться от фактического вида приобретённого электроинструмента.

Настоящая инструкция по эксплуатации защищена авторскими правами. Запрещено её копирование и размножение без согласия ООО «ПРОФИКС».

RO

INSTRUCȚIUNE DE FOLOSIRE
MAȘINA DE GĂURIT/ÎNȘURUBAT CU ACCUMULATOR VZV12
Traducere din instrucțiunea originală



ÎNAINTE DE UTILIZARE, CITIȚI ACESTE INSTRUCȚIUNI.

Păstrează instrucțiunile pentru o folosire viitoare.



ATENȚIE! Citește toate avertismentele referitoare la protecția muncii marcate cu simboluri ⚠ și toate indicațiile referitoare la utilizarea în siguranță.

Nerespectarea avertismentelor de mai jos, poate duce la accidente și la electrocutare, incendii și/sau la vătămări corporale.

Păstrează toate avertismentele și indicațiile referitoare la protecția muncii, pentru a le folosi în viitor.

În avertismentele de mai jos, termenul "unealtă electrică" înseamnă unealtă care este alimentată de la rețea (cu cablu de alimentare) sau unealtă electrică alimentată din baterie (fără cablu).



ATENȚIE! Reguli generale de protecție a muncii.

Siguranța la locul de muncă:

- La locul de muncă păstrează curățenie și bună iluminare.** Zonele și bancurile de lucru aglomerate cheamă accidente.
- Nu utilizați unealta electrică în atmosferi explozive, formate din lichide inflamabile, gaze sau lichide.** Unelata electrică produce scântei, care pot aprinde praful sau aburii.
- Țineți copiii departe de locurile în care unealta electrică este folosită.** Distragerea atenției poate duce la pierderea atenției asupra unei electrice.



ATENȚIE! Reguli generale cu privire la utilizarea în siguranță a uneltei.

Siguranța electrică:

- Ștecherul uneltei electrice trebuie să fie conforme cu priza.** Este interzisă modificarea ștecherului. Este interzisă utilizarea prelungitoarelor în cazul uneltelor electrice cu cablu de legare la pământ de protecție. Nemodificarea ștecherelor și a prizelor micșorează riscul de electrocutare.
- Evitați să atingeți suprafața de împământare sau conectările la masă, cum ar fi conducte, radiatoare, radiatoare de încălzire centrală și frigider.** În cazul atingerii părților împământate, crește riscul de electrocutare.
- Nu expuneți sculele electrice în condiții de ploaie sau mediu umed.** În caz de infiltrație cu apă, crește riscul de electrocutare.
- Nu abuzați de cablurile de conectare.** Nu folosiți cablul de alimentare la mutarea, tragerea uneltei sau tragerea ștecherului din priză. Păstrați cablul de alimentare departe de surse de căldură, ulei, mυχii ascuțiți sau părți în mișcare. Cablurile deteriorate sau încurcate cresc riscul de electrocutare.
- În cazul în care unealta electrică este folosită în aer liber, conectarea trebuie efectuată cu ajutorul prelungitoarelor destinate funcționării în aer liber.** Folosirea prelungitorului destinat funcționării în aer liber, micșorează riscul de electrocutare.
- Vă recomandăm să racordați aparatul la o rețea electrică dotată cu un comutator cu curent diferențial (RCD) cu amperaj de acționare de 30mA sau mai mic.**
- În cazul în care unealta electrică este folosită în mediu umed, este inevitabilă, utilizarea unui dispozitiv de protecție împotriva tensiunii de alimentare, cum ar fi aplicarea unui dispozitiv de curent rezidual (RCD).** Folosirea RCD micșorează riscul

de electrocutare.



ATENȚIE! Avertismente generale cu privire la siguranța folosirii uneltei.

Siguranță personală:

- Acest echipament nu este destinat utilizării de către persoane (inclusiv copii) cu abilități fizice reduse, senzoriale sau mentale, sau de persoane care nu au experiență sau nu cunosc echipamentul, cu excepția cazului în care are loc sub supraveghere sau în conformitate cu instrucția de folosire a echipamentului, de către o persoană responsabilă pentru siguranța lor.**
- Trebuie să fii atent, să aveți grijă ce faceți și să păstrați bun simț în timpul folosirii uneltei electrice.** Nu folosiți unealta electrică, când sunteți obosiți sau sub influența drogurilor, alcoolului sau a medicamentelor. *Un moment de neatenție în timpul lucrului cu unelata electrică poate cauza vătămări personale grave.*
- Folosiți echipament de protecție.** Purtați întotdeauna ochelari de protecție. *Folosind echipamentul de protecție cum ar fi masca de praf, pantofi cu anti-alunecare, căști sau protecție auditivă, micșorează riscul de vătămare.*
- Evitați pornirea accidentală.** Înainte de conectarea la sursa de alimentare și/sau înainte de conectarea bateriei și înainte de ridicarea sau mutarea uneltei asigurativă că comutatorul uneltei electrice este în poziția oprită. *Mutarea uneltei electrice cu degetul pe comutator sau conectarea uneltei electrice la rețeaua de alimentare în poziția pornită poate provoca un accident.*
- Înainte de pornirea uneltei electrice îndepărtați toate uneltele din apropiere.** Lăsarea de unelte pe părțile de mișcare ale uneltei electrice poate duce la vătămări corporale.
- Nu vă apliceți prea mult.** Trebuie să stați sigur și să mențineți echilibrul. Acest lucru va permite un control mai bun asupra uneltei electrice în situații neașteptate.
- Îmbrăcați-vă corespunzător.** Nu purtați haine largi sau bijuterii. *Țineți părul strâns, hainele și mânușile departe de părțile în mișcare. Hainele largi, bijuteria sau purtarea lung se pot agăța de părțile în mișcare.*
- Dacă echipamentul este potrivit pentru conectarea extractorului de praf extern și a colectorului de praf, asigurativă că acestea sunt conectate și folosite corect.** *Folosirea colectorului de praf poate reduce riscul de pericole legate de praf.*
- Nu permiteți ca abilitățile obținute prin utilizarea frecventă a sculei electrice să vă facă să vă simțiți prea încrezători în sine și să ignorați regulile de siguranță.** *A acțiunile necorespunzătoare pot provoca vătămări grave într-o fracțiune de secundă.*



ATENȚIE! Avertismente generale cu privire la folosirea în siguranță a uneltei.

Utilizarea și îngrijirea uneltei electrice:

- Nu supraîncărcați unealta electrică.** Utilizați o unealtă electrică în funcție de puterea necesară muncii efectuate. *Unelata electrică corectă va permite o funcționare mai bună și este sigură în cazul însărcinării, pentru care a fost proiectată.*
- Este interzisă utilizarea uneltei electrice dacă comutatorul nu pornește și nu oprește unealta.** *Fiecare unealtă electrică care nu pornește sau nu se oprește este periculoasă și trebuie reparată.*

- c) **Deconectați ștecherul de la sursa de alimentare a unelei electrice și/sau deconectați bateria înainte de orice setare, schimbare de părți sau depozitare. Aceste mijloace de protecție reduc riscul unei porniri accidentale a unelei electrice.**
- d) **Unealta electrică nefolosită trebuie depozitată departe de copii și nu trebuie împrumutată persoanelor care nu cunosc unealta electrică sau care nu au citit această instrucție de folosire a unelei electrice. Unealta electrică este periculoasă când este folosită de o persoană fără experiență.**
- e) **Unealta electrică trebuie bine întreținută. Trebuie controlată alinierea sau bruierea pieselor în mișcare, ruperea pieselor și alți factori care pot avea influență la funcționarea unelei electrice. Dacă găsim o deteriorare, unealta electrică înaintea folosirii trebuie reparată. Cauza multor accidente este întreținerea necorespunzătoare a unelei electrice.**
- f) **Unelele de tăiere trebuie să fie ascuțite și curate. Înțținerea părților ascuțite ale uneltelor de tăiere reduce riscul de blocare în material și ușurează folosirea.**
- g) **Unealta electrică, echipamentul, unelele de lucru, etc. trebuie folosite în conformitate cu această instrucție, ținând cont de tipul și condițiile de lucru. Utilizarea unelei electrice în alt mod decât este destinația, poate duce la situații periculoase.**
- h) **La temperaturi scăzute, sau după o perioadă îndelungată de nefolosire, este recomandată pornirea unelei electrice fără sarcină pentru câteva minute pentru a distribui corect unsoarea în mecanismul de transmisie.**
- i) **Pentru curățirea unelei electrice folosiți o cârpă moale, umedă (nu udă) și săpun. Nu folosiți benzină, diluanți sau alte mijloace care pot deteriora echipamentul.**
- j) **Unealta electrică trebuie depozitată/transportată numai după ce ne-am asigurat că toate elementele în mișcare sunt blocate și asigurate cu ajutorul elementelor originale destinate blocării.**
- k) **Unealta electrică trebuie păstrată într-un loc uscat, asigurat împotriva prafului și a umezelii.**
- l) **Transportul unelei electrice trebuie să aibă loc în ambalajul original, asigurat împotriva deteriorărilor mecanice.**
- m) **Mănerile și suprafețele de prindere trebuie să fie menținute curate fără ulei și grăsime. Mănerile și suprafețele de prindere alunecească nu permit ținerea în siguranță și controlul sculei în situații neașteptate.**



ATENȚIE! Avertismente generale cu privire la folosirea în siguranță a unelei.

Repararea:

- a) **Reparații în garanție și postgaranție ale uneltelor dumneavoastră electrice sunt efectuate de Service-ul PROFIX, ceea ce garantează calitatea cea mai ridicată a reparațiilor și utilizarea de piese originale de schimb.**



ATENȚIE! Mașina de găurit/înșurubat cu acumulator, avertizări referitoare la siguranță –
Siguranța personală:

- a) **Folosiți protecție auditivă în timp ce utilizați mașina de găurit-înfiletat. Expunerea la zgomot poate provoca pierderea auzului.**
- b) **În timp ce efectuați lucrări pe durata cărora unealta sau șurubul poate să atingă cablurile electrice ascunse sau propriul cablu de alimentare, trebuie să țineți unealta electrică de suprafețele izolate ale mânerului. Contactul cu cablul rețelei de alimentare aflate sub tensiune poate cauza transmiterea tensiunii pe**

părțile metalice ale unelei electrice, fapt ce poate cauza electrocutarea.

- c) **Utilizați instrumente adecvate de localizare a cablurilor ascunse de alimentare sau cereți ajutor de la instituțiile municipale. Contactul cu cablurile aflate sub tensiune poate cauza apariția incendiului sau electrocutarea. Deteriorarea țevii de gaz poate cauza explozie. Perforarea conductei de apă și canalizare poate cauza pagube materiale sau electrocutare.**
- d) **Nu prelucrați materiale care conțin azbest. Azbestul este considerat a fi cancerigen.**
- e) **Locul de muncă trebuie păstrat curat. Amestecul de materiale este foarte periculos. Pulberile de metal ușor se pot aprinde sau exploda.**
- f) **Asigurați elementul prelucrat. Asigurați-vă că toate elementele de fixare sunt bine strânse și verificați să nu fie prea mari distanțe. Fixarea elementului prelucrat în echipamentul de fixare sau menținut este mai sigur decât ținerea elementului cu mâna.**
- g) **Unealta electrică în timpul utilizării trebuie ținută cu ambele mâini de mânerul principal și suplimentar, menținând o poziție stabilă. Utilizarea unelei electrice este mai sigură dacă este ținută cu ambele mâini.**
- h) **Oprii imediat unealta electrică, dacă se blochează unelata folosită. Fiți pregătiți pentru vibrații puternice, care pot duce la recul. Unealta utilizată se blochează când: unelata electrică este supraîncălzită, sau când se îndoaie în element.**
- i) **Înainte de așezarea unelei electrice pe banc, așteptați până unelata se oprește. Unealta folosită se poate bloca și duce la pierderea controlului asupra acesteia.**

Instrucțiuni de siguranță în cazul utilizării burghiilor lungi:

- a) **Nu lucrați niciodată la o viteză mai mare decât viteza maximă a burghiului. Întotdeauna începeți găurirea la viteză mică, după ce burghiul intră în contact cu piesa de prelucrat. La viteze mai mari, burghiul se poate îndoi, în cazul în care se rotește liber fără contact cu piesa de prelucrat, provocând vătămări corporale.**
- b) **În timpul găuririi, apăsați burghiul pe piesa prelucrată în linie cu burghiul, nu apăsați prea tare burghiul. Burghiile se pot îndoi, provocând deteriorări sau pierderea controlului, ceea ce poate provoca vătămări.**



ATENȚIE! Utilizare sigură a acumulatorilor și încărcătorilor:

Utilizare acumulatori:

- a) **Utilizați numai acumulatorii care corespund la specificarea dată de producător. În cazul utilizării unor alte acumulatori, se poate întâmpla o crăpare, o descompunere, o vătămare corporală sau un incendiu.**
- b) **ATENȚIE:** În cazul în care acumulatorul se deteriorează sau este folosit necorespunzător pot apărea emisii de gaze explozive. Acumulatorul trebuie ținut departe de sursa de foc și trebuie să asigurați ventilație corespunzătoare în timp ce este încărcat. Nu lăsați acumulatorul pentru mult timp în mediu cu temperatură ridicată (în locuri expuse la lumina soarelui, în apropierea caloriferelor și în toate locurile unde temperatura depășește 40°C).
- c) **Încărcarea acumulatorului trebuie să se efectueze în mediu cu temperatura între 15-25 de grade °C.**
- d) **Acumulatorul trebuie încărcat doar cu încărcătorul atașat la umealta electrică. Atunci când folosiți alte încărcătoare acumulatorului se poate crăpa sau descompune, vă puteți răni sau puteți provoca un incendiu.**
- e) **Nu expuneți acumulatorul la acțiunea apei și umidității.**

- f) Dacă intenționați să încărcați mai multe decât un singur acumulator, trebuie să faceți o pauză de 30 de minute între încărcării succesive.
- g) În nici un caz nu deschideți acumulatorul.
- h) În condiții nefavorabile din acumulator se poate scurge lichid; evitați contactul cu lichidul. În cazul în care utilizatorul intră în contact cu lichidul, trebuie să spălați locul cu apă. În caz de contact cu ochiul, trebuie să apelați la ajutorul medicului. *Lichidul scurs din acumulator poate provoca iritații sau arsuri.*
- i) În cazul în care nu utilizați bateria acumulator, trebuie să o depozitați departe de obiecte metalice precum agrafe de birou, monede, chei, cuie, șuruburi, sau alte obiecte metalice de dimensiuni mici, care pot scurtcircuita bornele acumulatorului. *Scurtcircuitarea acumulatorului poate provoca arsuri sau incendiu.*
- j) Nu aruncați acumulatorul în foc.
- k) Nu încărcați acumulatorul stricat.



Accumulatorul este destinat pentru încărcare multiplă, conținând litiu care este dăunător pentru mediul înconjurător.

După perioada de folosire, acumulatorul trebuie utilizat în conformitate cu legislația despre protecția mediului natural.

În acest sens, acumulatorul trebuie total epuizat, scos din electroutilaj și predat la un punct de utilizare a acumulatorilor sau la magazinul, în care a fost cumpărat.

Utilizare încărcător:

- a) Pentru încărcare folosiți doar încărcătorul recomandat de producător. *Folosirea încărcătorului proiectat pentru încărcarea altui tip de baterii acumulatori poate provoca incendiu.*
- b) Încărcătorul livrat poate fi folosit doar pentru a încărca acumulatorii care sunt livrați împreună cu acesta. *Dacă încărcăți alte acumulatori, aceștia se pot crăpa sau descompune, vă puteți răni sau puteți provoca un incendiu.*
- c) Nu demontați încărcătorul.
- d) Încărcătorul poate fi folosit doar în încăperile. Nu expuneți încărcătorul la acțiunea apei și a umidității.
- e) Încărcați doar în intervalul de temperaturi 15°-25° C.
- f) Nu introduceți niciun fel de obiecte metalice în încărcător.

DESTINAȚIA ȘI CONSTRUCȚIA MAȘINII DE GĂURIT/ÎNȘURUBAT:

Mașina de găurit/înșurubat cu acumulator este destinată înșurubării și deșurubării diburilor, găuririi în materialele precum oțel, lemn, material artificial ș.a.m.d.

Mașina de găurit/înșurubat este destinată numai pentru uz casnic amator.

Este interzisă folosirea uneltei pentru executarea de lucrări care necesită unelte profesionale.

Fiecare utilizare a aparatului neconformă cu destinația acestuia, astfel cum a fost descrisă mai sus, este interzisă și duce la pierderea garanției și lipsa răspunderii producătorului pentru pagubele apărute în aceste cazuri.

Toate modificările aparatului efectuate de utilizator îl exceptă pe producător de responsabilitate pentru pagubele provocate utilizatorului și mediului.

În ciuda utilizării în conformitate cu destinația, nu pot fi eliminați în totalitate anumii factori de risc. Datorită construcției și proiectării, putem întâlni următoarele pericole:

- Atingerea cu mâna a burghiului în mișcare, a îmbrăcăminții.
- Arsuri în timpul înlocuirii burghiului. (În timpul funcționării burghiului

se încălzește, și pentru a evita arsurile în timpul înlocuirii folosiți mănuși de protecție).

- Reculul elementului prelucrat sau a părților acestuia.
- Curbare/rupere a burghiului.

■ Completare

- Mașina de găurit/înșurubat cu acumulator - 1 szt.
- Acumulator - 1 szt.
- Încărcător - 1 szt.
- Fișa de garanție - 1 buc.
- Instrucții de folosire - 1 buc.

■ Elementele mașinii

Numerotarea elementelor uneltei este prezentată în figura aflată pe pagina 2 a acestei instrucții de folosire:

- Des.A**
1. Mandrină cu strângere rapidă
 2. Mâner reglare arc
 3. Mâner de schimbare a modului de lucru
 4. Comutator viteze
 5. Comutator direcție turaj
 6. Indicator capacitate acumulator
 7. Mâner
 8. Buton pornire
 9. Iluminat auxiliar
- Des.B**
10. Acumulator
 11. Butoane de blocare a bateriei
- Des.C**
12. Încărcător
- Des.F**
13. Marcaj setare ambreiaj și mod de lucru
- Des.G**
14. Șurub fixare cu înfiletare stânga
 15. Ax

DATELE TEHNICE:

MODEL	VZV12
Tensiune de alimentare:	DC 12 V
Viteză de rotire fără sarcină	0-350/0-1300/min
Moment de rotație maxi	25 Nm
Domeniu prindere mandrină	∅ 0,8-10 mm
Masă (cu acumulatorul)	1,02 kg
Nivel de presiune acustică (LpA)	76,3 dB(A)
Nivel de putere acustică (LwA)	87,3 dB(A)
Incertitudine KpA, KwA	3 dB(A)
Nivelul de vibrații conform: EN 62841-2-1 (incertitudine K=1,5 m/s ²)	a _{h,b} = 1,44 m/s ²
Tip de acumulator	Li-ion
Tensiune nominală	12V
Capacitate	1300mAh
Încărcător	
Tensiunea de alimentare	100-240 V
Frecvența de alimentare	50/60 Hz
Curent de ieșire (DC)	22V / 0,5A
Timp de încărcare	3 h

Nivelul menționat de vibrații este reprezentativ pentru utilizarea aparatului electric. Dacă aparatul electric va fi utilizat pentru alte scopuri sau cu alte instrumente de lucru precum și dacă nu va fi întreținut

corespunzător, nivelul de vibrații ar putea diferi de cel indicat. Motivele indicate mai sus pot duce la sporirea nivelului de expunere la vibrații pe toată durata timpului de funcționare.

Trebuie să introduceți mijloace adiționale de siguranță, care au scopul de a proteja operatorul de efectele de expunere la vibrații, de ex.: întreținere aparat electric și instrumente de lucru, asigurarea temperaturii corespunzătoare a mâinilor, stabilirea ordinii operațiilor de muncă.

Valoarea totală declarată a vibrațiilor și valorile declarate ale emisiei de zgomot au fost măsurate în conformitate cu metoda standard de testare și pot fi utilizate pentru a compara un dispozitiv cu altul.

Valoarea totală declarată a vibrațiilor și valorile declarate ale emisiei de zgomot pot fi utilizate în evaluarea inițială a expunerii.

Avertismente:

Vibrațiile și emisiile de zgomot în timpul utilizării efective a sculei electrice pot să difere de valorile declarate în funcție de modul în care sunt utilizate uneltele, în special de tipul piesei prelucrate.

Trebuie determinate măsuri de siguranță pentru protejarea operatorului, care se bazează pe estimarea expunerii în starea reală de utilizare (luând în considerare toate părțile ciclului de operare, cum ar fi timpul în care instrumentul este oprit și când funcționează în ralanti, cu excepția timpului de declanșare).

PREGĂTIRE PENTRU UTILIZARE:

■ Încărcare acumulator

Mașina de găurit-înfiletat este livrată cu acumulatorul parțial încărcat. Înainte de utilizare trebuie să încărcați complet acumulatorul. Se recomandă ca prima încărcare să dureze 3 ore.

1. Apăsați butoanele de blocare a acumulatorului (11) și scoateți acumulatorul (10) din mașina de găurit-înfiletat (vezi des. B).
2. Conectați acumulatorul (10) la încărcător (12) (vezi des. C).
3. Cuplați ștecherul încărcătorului la priză de rețea 100-240V, 50/60Hz.

■ Semnalizare încărcare baterie

Dioda verde LED aprinsă pe încărcător informează că încărcătorul este conectat la sursa de alimentare. După conectarea acumulatorului se aprinde dioda roșie, care informează că încărcarea este în curs.

Atunci când bateria este încărcată integral, dioda roșie se va stinge și se aprinde dioda verde.

Pe durata procesului de încărcare curentul de încărcare se reduce automat. După cca. 3 ore curentul de încărcare se stabilizează la nivelul minim (încărcare de mentenanță), ceea ce va preveni posibilitatea de supraîncărcare și defectare a acumulatorului.

După ce procesul de încărcare s-a terminat, decuplați încărcătorul de la rețea și scoateți acumulatorul.

Acumulatorul litiu-ion poate fi încărcat în orice moment, fără a afecta în niciun fel durata de viață a acestuia. Întreruperea procesului de încărcare nu duce la deteriorarea celulelor acumulatorului.

ÎN TIMPUL UTILIZĂRII:

■ Pornire/oprire

Butonul de pornire instalat (8) posedă regularea fluidă a vitezei de rotație.

Pentru a porni unealta electrică trebuie să apăsați pe butonul de pornire. Viteza de rotație va crește pe măsură ce apăsați mai tare pe buton. Pentru a opri unealta electrică trebuie să dați drumul la butonul de pornire.

■ Indicator capacitate acumulator

Indicatorul capacității acumulatorului (6) semnalizează gradul de încărcare

a bateriei cu trei diode LED în culori.

Toate diodele LED sunt aprinse:

Acumulatorul este încărcat în totalitate.

Dioda LED galbenă și roșie sunt aprinse:

Acumulatorul este suficient de încărcat.

Dioda roșie LED este singura aprinsă:

Acumulatorul este descărcat și trebuie încărcat.

■ Selectare direcție turație (vezi des. E)

Mașina de găurit-înfiletat are posibilitatea de funcționare cu direcția turației conformă direcției acelor de ceas (rotație dreapta) sau contrară direcției acelor de ceas (rotație stânga):

- pentru a seta direcția de rotație în dreapta, trebuie să mișcați glisorul comutatorului de rotație stânga/dreapta (5) în stânga (văzut din spatele aparatului),

- pentru a seta direcția de rotație în stânga, trebuie să mișcați glisorul comutatorului de rotație stânga/dreapta (5) în dreapta (văzut din spatele aparatului).

Atunci când comutatorul direcției de rotație se află în mijloc butonul de pornire este blocat.

Pentru a găuri și pentru a înfileta trebuie să setați direcția de rotație dreapta. Pentru a retrage burghiul, a scoate burghiul blocat și pentru a desfileta șuruburile trebuie să setați direcția de rotație stânga.

■ Selectare turație de rotație (vezi des. F)

Mașina de găurit-înfiletat este dotată cu un inel (2), folosit pentru setarea turației de rotație la înfiletarea șuruburilor. Pe inel sunt însemnate 18 poziții, de la 1 la 18.

Setarea inelului la poziția selectată (1 - 18) stabilește valoarea de întindere a arcului la mărirea stabilită de turație. Acest lucru permite asigurarea împotriva strângerii prea adânci sau deteriorării șurubului. Pentru diferite tipuri de șuruburi și de materiale se vor folosi valori diferite ale turației de rotație.

Trebuie să începeți mereu cu o turație mică și să creșteți turația treptat până ce atingeți rezultatul dorit.

Pentru a găuri în metal, lemn și materiale plastice trebuie să setați inelul (2) astfel încât indicatorul (13) să acopere cu poziția 18.

■ Selectarea modului de lucru



NOTĂ: Schimbarea modului de funcționare trebuie făcută numai atunci când scula electrică este oprită! În caz contrar, scula electrică poate fi deteriorată.

Cu ajutorul butonului de selectare a modului de funcționare (3) puteți selecta modul de funcționare a sculei electrice.

Pentru a schimba modul de funcționare, setați comutatorul modului de funcționare în poziția dorită până când veți auzi clic caracteristic de blocare.

Găurire:

Mutați butonul (3) pe simbolul

Înșurubare:

Mutați butonul (3) pe simbolul

■ Schimbare viteze

Folosiți comutatorul de viteze (4) pentru a selecta 2 intervale de viteze de rotație.

Viteza I: Este folosită pentru înfiletarea și desfiletarea șuruburilor.

Viteza II: Este folosită pentru găurire.

ATENȚIE: Nu schimbați poziția comutatorului de viteze (4) în timpul funcționării unelei, acest lucru poate avaria pârghia acestuia. Unealta

trebuie să se oprească înainte de a schimba setarea comutatorului de viteze. În cazul în care comutatorul de viteze nu poate fi mutat la valoarea maximă trebuie să mișcați puțin axul de turaj.

■ Schimbare mâner (vezi des. G)

1. Scoateți acumulatorul (10) din mașina de găurit-înfiletat.
2. Deschideți mânerul la maxim (1).
3. Desfiletați șurubul (14) de fixare a mandrinăi cu șurubelnița PH 2 (Philips Nr 2) conform direcției acelor de ceas (**ATENȚIE! Filet stânga**). Loviți ușor în șurubul blocat pentru a-l debloca.
4. Țineți inelul al mânerului și desfiletați mandrina mașinii de găurit-înfiletat în direcția opusă acelor de ceas (văzut dinspre mandrină).

ATENȚIE: Mandrina pentru găurit cu cuplare rapidă blocată (1) poate fi eliberată prin introducerea părții scurte a cheii hexagonale în mandrină și prin lovirea ușoară a părții lungi a acesteia (vezi des. D).

5. Pentru a monta mandrina trebuie să o înfiletați pe ax conform direcției acelor de ceas (văzut dinspre mandrină) și să asigurați cu șurubul de fixare, și să-l înfiletați cu șurubelnița PH 2 (Philips Nr 2) în direcția opusă acelor de ceas. Pentru ca mandrina să nu se învârtă în timpul înfiletării șurubului de fixare trebuie să țineți mandrina de inelul.

■ Iluminata auxiliar

- Mașina de găurit-înfiletat este dotată cu iluminat auxiliar (9) a locului de găurire/infiletare care se pornește după apăsarea butonului de pornire (8).

■ Schimbarea uneltelor de lucru

ATENȚIE: Decuplați acumulatorul de la mașina de găurit-înfiletat sau setați comutatorul direcției de rotație (5) la poziția din mijloc, pentru a vă proteja de pornirea accidentală a uneltei, care ar putea răni operatorul.

Atunci când comutatorul este eliberat (8) se blochează axul de găurit. Acest lucru permite schimbul rapid, confortabil și ușor al uneltei de lucru în mânerul mașinii de găurit. Pentru a scoate burghiul (sau capul de lucru) din mandrină trebuie să rotiți inelul de pe mandrină în stânga, pentru a mări orificiul în mâner. Pentru a instala burghiul (sau capul de lucru) în mandrină trebuie să rotiți inelul de pe mandrină în dreapta pentru a strânge burghiul în mandrină.

Burghiul (sau un alt fel de capăt) trebuie introdus în prinderea până la rezistența.

■ Găurire

1. Când efectuați orificiile adânce, trebuie să găuriți treptat până la adâncimile mai mici și să dați cu burghiul înapoi pentru a înlesni ieșirea prafului din orificiul.
 2. La găurirea unui orificiu de un diametru mai mare este recomandat să începeți cu efectuarea unui orificiu mai îngust, iar în urma să-l măriți până la dimensiunea dorită. Așadar evitați supraîncărcarea bormașinii.
 3. Dacă în timpul găurii burghiul să blochează, opriți imediat bormașina pentru a evita deteriorarea ei. Schimbând direcția rotațiilor, scoateți burghiul din orificiul.
 4. Țineți mașina de înșurubat în axa orificiul efectuat. Burghiul trebuie să fie fixat sub unghiul drept față de suprafața materialului prelucrat. Dacă nu păstrați unghiul drept în timpul utilizării, puteți provoca blocarea sau ruperea burghiului în orificiul; iar în caz extrem rănirea operatorului.
- Reglarea vitezei de rotire a arborelui se face prin apăsarea cu puterea

corespunzătoare pe întrerupător.

■ Înșurubarea diblurilor

Prima, se recomandă efectuarea unui orificiu mai îngust, un pic mai lung de lungimea diblului. În cazul în care diblul se află în preajma marginii materialului, pregătirea unui asemenea orificiu îndepărtează riscul de desprindere nedorită a unui fragment de material.

Dacă înșurubând diblul veți întâlni vreo problemă, scoateți-l și măriți puțin orificiul.

Dacă înșurubarea în continuare merge cu greutate (ce să poate întâmpla în cazul speciilor de lemn mai dure), încercați un unguent (ex. săpun lichid). Apăsăți corespunzător pe mașina de înșurubat ca să evitați rotirea prinderii împreună cu capătul șurubelniței. Utilizați capetele care se potrivesc exact cu capătul șurubelniței. Deteriorarea prinderii șurubelniței poate provoca imposibilitatea de a înșuruba sau deșuruba.

DEPOZITARE ȘI MENTENANȚĂ:

Aparatul practic nu necesită o întreținere specială.

Aparatul trebuie depozitat într-un loc care nu se află la îndemâna copiilor, menținut curat, ferit de umiditate și de praf. Condițiile de depozitare trebuie să excludă posibilitatea de deteriorare mecanică sau influența factorilor atmosferici.

ATENȚIE: Mereu înainte să începeți acțiunile legate de curățare și conservare, scoateți acumulatorul din utilajul și ștecherul din priză de alimentare.

Încăcătorul trebuie curățate cu ajutorul unei cârpe uscate. Curățați periodic orificiile de ventilare a mașinii de găurit/înșurubat cu o periuță sau o cârpă uscată. Demontați periodic prinderea burghiului și scoateți din interiorul prafului și mizeriile.

Carcasa trebuie curățată cu o pânză curată și umezită cu o cantitate mică de săpun iar apoi trebuie stearsă până ce se usucă. Nu folosiți nicio substanță de curățare și niciun diluant; acestea pot deteriora piesele de plastic ale aparatului. Aveți atenție ca apa să nu intre în interior. După curățarea așteptați până când mașina de găurit/înșurubat se usucă.

TRANSPORT:

Aparatul trebuie transportat și depozitat în cutia de transport, care protejează împotriva umezelii, infiltrării de praf și a obiectelor mici, mai ales trebuie să asigure orificiile de ventilare. Elementele mici, care infiltră în interiorul carcasei, pot distruge motorul.

PROTECȚIA MEDIULUI:



ATENȚIE: Simbolul prezentat înseamnă interdicția punerii echipamentelor uzate împreună cu celelalte deșuri menajere (sub risc de amendă). Componente periculoase care fac parte de utilaje electrice și electronice dăunează mediul natural și sănătatea omului.

Fiecare menaj ar trebui să participe la recuperarea și reciclarea utilajelor uzate. În Polonia și în Europa se formează sau există deja niște sisteme de colectare a utilajelor uzate, în cadrul cărora toate punctele de vânzare ale utilajelor citate sunt obligate să primească utilajele uzate înapoi. În plus, există și punctele specializate în colectarea asemenea utilajelor.

PICTOGRAME:

Explicațiile imaginilor de pe tabelul nominal și de pe etichetele informative:



«Înainte de cuplare și de a începe operarea trebuie să citiți prezenta instrucțiune»



«Folosiți întotdeauna ochelari de protecție»



«Folosiți mănuși de protecție»



«Folosiți mijloace de protecție auditivă»



«Folosiți întotdeauna măști de praf»



«Feriți acumulatorul de căldură, de asemeni de ex. de radiații solare continue.»



«Nu aruncați acumulatorii în foc.»



«Nu aruncați acumulatorii în apă.»

PRODUCĂTOR:

PROFIX Sp z o.o.,
ul. Marywilka 34,
03-228 Warszawa, POLONIA

Prezentul utilaj este făcut conform normelor naționale și europene, precum și indicilor de siguranță.
Toate reparațiile trebuie efectuate de un personal calificat, folosindu-se piesele de schimb originale.

DEFECȚIUNI TIPICE ȘI ÎNDEPĂRTAREA ACESTORA:

PROBLEMĂ	CAUZĂ POSIBILĂ	SOLUȚIE
Mașina de găurit-înșurubat nu funcționează.	Lipsă alimentare, deteriorare motor sau comutator.	Verificați nivelul de încărcare al bateriei, în cazul în care este necesar încărcați sau schimbați cu una nouă. Dacă unealta electrică nu funcționează în continuare, trebuie să o trimiteți la service pentru reparații la adresa indicată pe fișa de garanție.
Perturbații în funcționarea motorului.	Baterie descărcată.	Încărcați bateria.
	Perii de cărbune uzate.	Schimbați periele de cărbune într-un service.




Politica firmei PROFIX este aceea de perfecționare continuă a produselor sale și de aceea firma își rezervă dreptul de modificare a specificației produsului fără înștiințarea anterioară. Imaginile indicate în instrucțiunile de utilizare sunt doar exemple și se pot diferi puțin de aspectul real al dispozitivului achiziționat.

Prezenta instrucțiune este protejată prin dreptul de autor. Copierea/inmulțirea fără acordul în scris al firmei PROFIX Sp. z o.o. este interzisă.



PIRMS DARBA SĀKUMA NEPIECIEŠAMS IEPAZĪTIES AR ŠO INSTRUKCIJU.

Saglabā instrukciju vārbutēvai turpmākai lietošanai.

BRĪDINĀJUMS! Nepieciešams izlasīt visus brīdinājumus apzīmētus ar simboliem , kuri attiecas uz lietošanas drošību un visus lietošanas drošības norādījumus.



Neievērojot zemāk uzrādītos drošības brīdinājumus un norādījumus attiecībā uz drošību var būt par elektriskās strāvas triecienu, ugunsgrēku un/vai nopietnu traumu iemeslu.

Ievērot visus brīdinājumus un norādījumus attiecībā uz drošību, lai tos turpmāk varētu izmantot.

Zemāk uzrādītos brīdinājumus „elektroinstruments” nozīmē elektroinstrumentu, kurš tiek barots no elektriskā tīkla (ar barošanas vadu) vai elektroinstruments barots no akumulatora (bezvadu).



BRĪDINĀJUMS! Vispārējie instrumenta drošas lietošanu norādījumi.

Darba vietas drošība:

- Darba vietā nepieciešams uzturēt kārtību un labu apgaismojumu. Nekārtība un slikts apgaismojums ir negadījumu iemesls.
- Nedrīkst lietot elektroinstrumentu sprāgstošā, viegli uzliesmojošā, gāzu putekļainā vidē. Elektroinstrumenta darbības laikā rodas dzirksteles, no kurām var aizdegties putekļi un tvaiki.
- Vietā, kur tiek lietoti elektroinstrumenti nevar atrasties bērni un novērotāji. Novērsot uzmanību var zaudēt kontroli par elektroinstrumentu.



BRĪDINĀJUMS! Vispārējie instrumenta drošas lietošanu norādījumi.

Elektriskā drošība:

- Elektroinstrumenta kontaktdakšīnām jābūt pielāgotām pie kontaktlīdziņām. Nekad nekādā gadījumā nedrīkst mainīt kontaktdakšīņu. Nedrīkst lietot nekādas pagarinātājus gadījumā, ja elektroinstruments ir apgādāts ar vadu ar aizsardzības iezemējuma dzislu. Ja netiek darītas kontaktdakšīņu un kontaktlīdziņu izmaiņas, tas samazina elektriskā triecienu risku.
- Nepieciešams izvairīties no iezemētām virsmām vai savienotām ar masu, kā piemēram caurules, sildītāji, centrālāpkaures radiatoru un dziesinātāji. Gadījumā, ja netiek kontakts ar iezemētām vai ar masu savienotām daļām pieaug elektriskās strāvas triecienu risks.
- Nedrīkst pakļaut elektroinstruments uz lietus vai mitruma iedarbību. Gadījumā, ja elektroinstrumentā iekļūst ūdens pieaug elektriskās strāvas triecienu risks.
- Nedrīkst pārslogot savienojuma vadus. Nekad nedrīkst lietot savienojuma vadu elektroinstrumenta pārnēsāšanai, vilkšanai vai izvilkt kontaktdakšīņu no kontaktlīdziņas aiz vada. Nepieciešams turēt savienojuma vadu tālu no siltuma avotiem, eļļainām, asām šķautnēm vai kustīgām daļām. Būjāti vai sapīti savienojuma vadi palielina elektriskās strāvas triecienu risku.
- Gadījumā, ja elektroinstruments tiek lietots ārpusē, savienojuma vadus nepieciešams pagarināt ar pagarinātājiem, kuri ir piemēroti darbam ārpusē. Lietojot pagarinātājus piemērotus darbam ārpusē samazinās elektriskās strāvas triecienu risks.
- Ieteicams ierīci pievienot pie elektriskā tīkla, kurš ir aprīkots ar

RCD slēdzi ar 30mA vai mazāku izslēgšanas strāvu.

- Gadījumā, ja ir nepieciešamība lietot elektroinstrumentu mitrā vidē, par sprieguma aizsardzību nepieciešams lietot strāvas starpības ierīci (RCD). Lietojot RCD samazinās elektriskās strāvas triecienu risks.



BRĪDINĀJUMS! Vispārējie instrumenta drošas lietošanu norādījumi.

Individuālā drošība:

- Šī ierīce nav piemērota lietot cilvēkiem (tai skaitā bērniem) ar ierobežotām fiziskām, jūtības un psihiskām spējām, vai cilvēkiem bez ierīces darbības pieredzes vai zināšanām, izņemot, ja tas notiek uzraudzībā vai saskaņā ar ierīces lietošanas instrukciju, ar kuru ir iepazinūšās par drošību atbildīgas personas.
- Elektroinstrumenta lietošanas laikā nepieciešams būt tālredzīgiem, novērot kas notiek un saglabāt skaidru saprātu. Nedrīkst lietot elektroinstrumentu noguruma laikā vai narkotisku vielu, alkohola vai zāļu iedarbībā. Neuzmanības mirklis strādājot ar elektroinstrumentu var radīt nopietnas ķermeņa traumas.
- Nepieciešams lietot individuālos aizsardzības līdzekļus. Vienmēr nepieciešams lietot aizsargbrilles. Lietojot attiecīgos apstākļos aizsardzības līdzekļus, tādas kā putekļu maskas, neslidošus apavus, ķiveres vai dzirdes aizsardzības līdzekļus, samazināsies individuālais traumas risks.
- Nepieciešams izvairīties no neparedzētām kustībām. Pirms pieslēgšanas pie barošanas avota un/vai pirms akumulatora pieslēgšanas kā arī pirms tam, kad paceļam vai pārceļam ierīci nepieciešams pārliecināties, ka elektroinstrumenta slēdzis atrodas izslēgšanas stāvoklī. Pārnēsāt elektroinstrumentu ar pirkstu uz slēdža vai barošanas tīklā pieslēgtu elektroinstrumentu pie ieslēgta slēdža var būt par negadījuma iemeslu.
- Pirms elektroinstrumenta palaišanas nepieciešams novākt visas atslēgas. Atslēga atstāta rotējošā elektroinstrumenta tuvumā var radīt individuālas traumas.
- Nedrīkst pārlieku tālu izliecties. Visu laiku nepieciešams stāvēt stabili un saglabāt līdzsvaru. Tas dos iespēju neparedzētās situācijās labāk kontrolēt elektroinstrumentu.
- Nepieciešams attiecīgi ģērbties. Nedrīkst nēsāt vaļīgas apģērbus vai rotas lietas. Nepieciešams turēt savus matus, apģērbu un cimdus tālu no kustīgām daļām. Vaļīgs apģērbs, rotas lietas vai gari mati var tikt aizķerti ar kustīgām daļām.
- Ja ierīce ir pielāgota ārējai putekļu sūkšanai un putekļu uzsūkšanai, nepieciešams pārliecināties, ka tie ir pieslēgti un pareizi lietoti. Lietojot putekļu sūcēju var samazināt putekļu ieelpošanas bīstamību.
- Nedrīkst pieļaut, lai iemaņas iegūtas bieži lietojot elektroinstrumentu samazinātu mūsu modrību un drošības noteikumu ignorēšanu. Bezrūpīga rīcība var izraisīt nopietnus ievainojumus sekundes laikā.



BRĪDINĀJUMS! Vispārējie instrumenta drošas lietošanu norādījumi.

Lietošana un gādība par elektroinstrumentu:

- Nedrīkst pārslogot elektroinstrumentu. Nepieciešams piemērot elektroinstrumentu veiktajam darbam. Pareizs

elektroinstruments nodrošinās labāku un drošāku darbu pie slodzes, kādam tas tika projektēts.

- b) **Nedrīkst lietot elektroinstrumentu, ja slēdzis to neieslēdz un neizslēdz.** *Katrs elektroinstruments, kuru nevar ieslēgt vai izslēgt ar slēdzi ir bīstams un to nepieciešams labot.*
- c) **Nepieciešams atvienot elektroinstrumenta kontaktdakšīņu no barošanas avota un/vai atslēgt akumulatoru pirms tiek veikta jebkāda uzstādīšana, detaļu maiņa vai instrumenta glabāšana.** *Tādas drošības darbības reducē neparedzētu elektroinstrumenta palaišanu.*
- d) **Nelietotu elektroinstrumentu nepieciešams glabāt bērniem nepieejamās vietās un nedrīkst atļaut personām, kuras nav iepazinušas ar elektroinstrumentu vai šo lietošanas instrukciju lietot elektroinstrumentu.** *Elektroinstrumenti ir bīstami neapmācītu lietotāju rokās.*
- e) **Elektroinstrumentu nepieciešams konservēt.** *Nepieciešams pārbaudīt asu sakritību vai kustīgo daļu iekļīšanās, detaļu plīsumus un visus apstākļus, kuri varētu ietekmēt elektroinstrumenta darbu. Ja tiek konstatēts bojājums, elektroinstrumentu pirms lietošanas nepieciešams salabot. Daudzu negadījumu iemesls ir nepareiza elektroinstrumenta konservācija.*
- f) **Griezējinstrumentiem jābūt asiem un tīriem.** *Attiecīgi uzturēti asi griezējinstrumenta asmeņi samazina iekļīšanās iespējas un atvieglo apkalpošanu.*
- g) **Elektroinstrumentu, aprikojumu, darba instrumentus un tml. nepieciešams lietot saskaņā ar šo instrukciju, ņemot vērā darba apstākļus un veicamo darbu.** *Lietot elektroinstrumentu tam neparedzētā veidā var novest pie bīstamām situācijām.*
- h) **Zemās temperatūrās vai pēc ilgāka nelietošanas laika, ieteicams uz pāris minūtēm ieslēgt elektroinstrumentu bez slodzes, lai piedziņas mehānismā sāktu pareizi darboties smērēļa.**
- i) **Elektroinstrumentu tīrīšanai lietot mikstu, mitru (ne slapju) drānu un ziepes.** *Nelietot benzīnu, šķīdinātājus un citus līdzekļus, kuri varētu sabojāt ierīci.*
- j) **Elektroinstrumentu nepieciešams glabāt / transportēt iepriekš pārliecinoties, ka visas kustīgās daļas ir nobloķētas un nodrošinātas pret atbloķēšanu ar oriģināliem šim nolūkam paredzētiem elementiem.**
- k) **Elektroinstrumentu nepieciešams glabāt sausā, no putekļiem un mitruma sargātā vietā.**
- l) **Elektroinstrumenta transportēšanu jāveic oriģinālā iepakojumā, kurš pasargā no mehāniskiem bojājumiem.**
- m) **Rokturus un satveršanas virsmas nepieciešams uzturēt tīras, bez eļļas un smērē. Neparedzētās situācijās slideni rokturi un satveršanas virsmas nedod iespēju droši turēt un kontrolēt instrumentu.**



BRĪDINĀJUMS! Vispārējie instrumenta drošas lietošanu norādījumi.

Remonts:

- a) **Savu elektroinstrumentu garantijas un pēcgarantijas remontus veic PROFIX serviss, kas garantē visaugstāko remontu kvalitāti kā arī tiek izmantotas oriģinālas rezerves daļas.**



BRĪDINĀJUMS! Akumulatora urbjmašīna-skrūvgriezis, drošības brīdinājumi –

Individuālā drošība:

- a) **Strādājot ar urbjmašīnu-skrūvgriezi lietot dzirdes aizsardzības**

līdzekļus. *Trokšņa iedarbība var zaudēt dzirdi.*

- b) **Veicot darbus, kur darba instruments vai skrūve varētu trāpīt uz slēptiem elektriskajiem vadiem vai uz paša barošanas vada, elektroinstrumentu nepieciešams turēt aiz roktura izolētās daļas.** *Kontakts ar barošanas tīklu vada, kurš ir zem sprieguma var radīt sprieguma pārņemšanu uz elektroinstrumenta metāla daļām kā rezultātā var notikt elektriskās strāvas trieciens.*
- c) **Nepieciešams lietot attiecīgas meklēšanas ierīces, lai lokalizētu slēptus barošanas vadus vai lūgt pilsētas dienestu palīdzību.** *Kontakts ar vadiem, kuri ir zem sprieguma var novest līdz ugunsgrēkam vai elektriskā strāvas triecienam. Gāzes vada bojājums var novest līdz sprādzienam. Ūdensvada pārraušana rada materiālus zaudējumus vai notikt elektriskās strāvas trieciens.*
- d) **Neapstrādājiet materiālus, kas satur azbestu.** *Azbestam piemīt kancerogēnas īpašības.*
- e) **Darba vietu nepieciešams uzturēt tīru.** *Materiālu maisījumi ir sevišķi bīstami. Metāla putekļi var viegli aizdegties un uzsprāgt.*
- f) **Apstrādājamo priekšmetu nepieciešams nostiprināt.** *Pārliecināties, ka visi stiprināšanas elementi ir nostiprināti un pārbaudīti, lai nebūtu pārmērīgas pielādes. Apstrādājamo priekšmetu ir drošāk nostiprināt stiprināšanas ierīcē vai skrūvspīļēnē nekā turēt to rokā.*
- g) **Elektroinstrumentu darba laikā nepieciešams stipri turēt abās rokās aiz galvenā roktura un palīgroktura, ievērojot stabilu pozīciju.** *Elektroinstrumentu drošāk vadīt abās rokās.*
- h) **Elektroinstrumentu nepieciešams nekavējoties izslēgt, kad bloķējas lietotais griezējinstrumentis.** *Nepieciešams būt gatavam lielai vibrācijai, kura var radīt atņemšanu. Lietotais instruments bloķējas, ja elektroinstruments ir pārslēgots vai saliecas apstrādājamā priekšmetā.*
- i) **Pirms elektroinstrumenta nolikšanas pagaidīt līdz tas apstājas.** *Darba instruments var iebloķēties, kas rada ka tiek zaudēta kontrole par elektroinstrumentu.*

Drošības instrukcijas izmantojot garus urbju:

- a) **Nekad nestrādājiet ar lielāku ātrumu nekā maksimālo urbja griešanās ātrumu.** *Vienmēr sākt urbt ar mazu ātrumu un pēc tam, kad urbis ir saskarties ar sagatavi. Lielākā ātrumā urbis var saliekties, ja tas brīvi griežas nesaskaroties ar apstrādājamo priekšmetu, radot ķermeņa traumas.*
- b) **Urbšanas laikā piespīst urbi pie apstrādājamā priekšmeta vienā līnijā ar urbi, nespīdīet urbi pārāk stipri.** *Urbji var saliekties, izraisot bojājumus vai zaudējot kontroli, kas var izraisīt ķermeņa traumas.*



BRĪDINĀJUMS! Droša akumulatoru un akumulatoru lādētāju lietošana:


Akumulatoru lietošana:

- a) **Nepieciešams lietot akumulatorus tikai saskaņā ar ražotāja specifikāciju.** *Citu akumulatoru lietošanas gadījumā var rasties akumulatora plīsums un sabrukums, ķermeņa trauma vai ugunsgrēks.*
- b) **UZMANĪBU:** Akumulatora bojājuma vai nepareizas lietošanas rezultātā var notikt sprāgstos gāzu izdalīšanās. Akumulatoru nepieciešams vienmēr turēt tālu no uguns kā arī lādēšanas laikā nodrošināt atbilstošu ventilāciju. *Nedrīkst to atstāt uz ilgu laiku vidē, kur ir augsta temperatūra (saulainās vietās, slidelementu tuvumā vai tur, kur temperatūra pārsniedz 40 grādus).*
- c) **Akumulatora lādēšanu nepieciešams veikt 15-25°C temperatūras diapazonā.**

- d) **Akumulatoru nepieciešams lādēt tikai ar elektroinstrumentam pievienoto lādētāju.** *Gadījumā, ja tiek lietoti citi lādētāji var notikt akumulatoru plūsmos vai sašķelšanās, ķermeņa traumavai ugunsgrēks.*
- e) **Sargāt akumulatoru no ūdens un mitruma.**
- f) **Ja gribam lādēt sekojoši vairākus akumulatorus, starp atsevišķiem lādējumiem nepieciešams izdarīt 30 minūšu pārtraukumu.**
- g) **Nekādā gadījumā nedrīkst akumulatoru atvērt.**
- h) **Nelabvēlīgos apstākļos no akumulatora var izdalīties šķidrums; nepieciešams izvairīties no kontakta ar šķidrumu. Ja lietotājs negaidīti saskarsies ar šķidrumu, kontakta vietu nepieciešams skalot ar ūdeni. Ja šķidrums nokļūst acīs, papildus nepieciešams meklēt medicīnisko palīdzību. No akumulatora izplūstošais šķidrums var radīt kairinājumu vai applaucēšanos.**
- i) **Laikā, kad akumulatoru baterija netiek lietota, nepieciešams to glabāt tālu no metāla priekšmetiem, tādiem kā papīra spraudņiem, monētām, atslēgām, naglām, skrūvēm vai citiem maziem metāla elementiem, kuri varētu radīt akumulatora īssavienojumu. Akumulatoru īssavienojums var radīt applaucēšanos vai ugunsgrēku.**

j) **Nemest akumulatoru uguni.**

k) **Nedrīkst lādēt bojātu akumulatoru.**

 Akumulatori paredzēti daudzkārtējai lādēšanai, satur apkārtējai videi kaitīgo litiu.

Pēc lietošanas termiņa beigām tos nepieciešams utilizēt saskaņā ar apkārtējās vides aizsardzības noteikumiem.

Šajā nolūkā pilnīgi izlietot akumulatoru, izņemt no elektroinstrumenta, nodot akumulatoru utilizācijas punktā vai veikalā, kurā tas nopirkts.

Lādētāja lietošana:

- a) **Lādēt akumulatoru nepieciešams tikai ar ražotāja ieteikto transformatoru.** *Lietojot transformatoru piemēroti cita tipa akumulatoru baterijai rada ugunsgrēka rašanās risku.*
- b) **Pievienoto lādētāju drīkst lietot tikai akumulatoru lādēšanai, kuri ir ar to piegādāti.** *Lādējot citus akumulatorus var notikt akumulatoru plūsmos vai sašķelšanās un ķermeņa ievainojums vai trauma vai arī ugunsgrēks.*
- c) **Lādētāja nedrīkst izjaukt.**
- d) **Lādētājs paredzēts darbam tikai telpu iekšpusē.** *To nedrīkst pakļaut ūdens un mitruma iedarbībai.*
- e) **Lādēt tikai 15-25 grādu diapazonā.**
- f) **Lādētājā nedrīkst likt nekādus metāla priekšmetus.**

URBJMAŠĪNAS-SKRŪVJGRIEZĒJA PIELIETOJUMS UN UZBŪVE:

Akumulatoru urbjmašīna-skrūvjgriezējs ir paredzēts skrūvju ieskrūvēšanai un izskrūvēšanai, caurumu urbšanai tādos materiālos kā tērauds, koks, plastmasa un tml. Urbjmašīna-skrūvjgriezējs paredzēta vienīgi amatieru darbos. **Nedrīkst lietot ierīci veicot darbus, kur nepieciešams lietot profesionālas ierīces.**

Aizliegts lietot ierīci neatbilstoši augstāk uzrādītam pielietojumam, pretējā gadījumā tiek zaudēta garantija kā arī ražotājs neatbild par šādā veidā radītiem zaudējumiem.

Jebkādas ierīces modifikācijas, kuras veic lietotājs atbrīvo ražotāju no

atbildības par bojājumiem un zaudējumiem, kuri nodarīti lietotājam un apkārtējiem.

Neskatoties uz pielietojumam paredzēto lietošanu nevar pilnībā izslēgt atsevišķus riska elementus. Ņemot vērā mašīnas konstrukciju un uzbūvi var rasties sekojošas bīstamības:

- operatora rokas vai apģērba vada pieskārsšanās pie rotējoša urbja darba laikā;
- applaucēšanās mainot urbi. (Darba laikā urbis ļoti stipri sakarst, lai novērstu applaucēšanos to mainot nepieciešams lietot aizsargcimdus);
- apstrādājamā priekšmeta vai tā daļu atmešana;
- urbja saliekššanās/salaušana.

■ Komplektācija

- Akumulatoru urbjmašīna-skrūvjgriezējs - 1 gab.
- Akumulators - 1 gab.
- Lādētājs - 1 gab.
- Garantijas karte - 1 gab.
- Apkalpošanas instrukcija - 1 gab.

■ Sastāvdaļas

Ierīces elementu numerācija attiecas uz grafisko zīmējumu, kurš atrodas apkalpošanas instrukcijas 2.lapas pusē:

Zīm.A 1. Bez atslēgas urbjmašīnas patrona

2. Sajūga regulēšana
3. Darba režīma maiņas slēdzis
4. Ātruma pārslēdzējs
5. Apgrīzietņu virziņa slēdzis
6. Akumulatora ietilpības rādītājs
7. Roturis
8. Slēdzis
9. Palīg apgaismojums

Zīm.B 10. Akumulators

11. Akumulatora bloķēšanas pogas

Zīm.C 12. Lādētājs

Zīm.F 13. Sajūga un darba režīma uzstādīšanas atzīme

Zīm.G 14. Kreisās vītnes stiprināšanas skrūve

15. Vārpsta

TEHNISKIE DATI:

MODEL	VZV12
Barošanas spriegums	DC 12 V
Griešanas ātrums bez slodzes	0-350/0-1300 min ⁻¹
Maksimālais griešanās moments	25 Nm
Urbjpatronas aptverespēja	∅ 0,8-10 mm
Svars (ar akumulatoru)	1,02 kg
Akustiskā spiediena līmenis (LpA)	76,3 dB(A)
Akustiskās jaudas līmenis (LwA)	87,3 dB(A)
Mērijumu izkliede KpA, KwA	3 dB(A)
Vibrācijas līmenis atbilst. normai: EN 62841-2-1 (mērijumu izkliede K=1,5 m/s ²)	a _{h,v} = 1,44 m/s ²
Akumulatora veids	Li-ion
Izbejas spriegums	12V

Akumulatora tilpums	1300mAh
Lādētājs	
leejas spriegums	100-240 V
Tikla frekvence	50/60 Hz
Izejas strāva (DC)	22V/ 0,5A
Lādēšanas laiks	3 h

Uzrādītais vibrācijas līmenis ir reprezentatīvs elektroinstrumenta pamata lietošanai. Ja elektroinstrumenti tiek lietoti citos nolūkos vai ar citiem darba instrumentiem, vai arī ja nebūs pietiekami konservēti, vibrācijas līmenis var atšķirties no uzrādītā. Augstāk uzrādītie iemesli var radīt vibrācijas ekspozīcijas palielināšanos visā darba laikā.

Nepieciešams realizēt papildus drošības līdzekļus, kuri pasargās operatoru no vibrācijas ekspozīcijas, piem.: Elektroinstrumenta un darba instrumenta konservācija, atbilstošas roku temperatūras nodrošināšana, darba operāciju veikšanas secības noteikšana.

Deklarētās kopējās vibrācijas vērtības un deklarētās trokšņa emisijas vērtības ir mērītas saskaņā ar standarta testa metodi, un tās var izmantot, lai savā starpā salīdzinātu instrumentus.

Sākotnējam iedarbības novērtējumam var izmantot deklarētās kopējās vibrācijas vērtības un deklarētās trokšņa emisijas vērtības.

Bridinājumi:

Vibrācijas un trokšņa emisija elektroinstrumenta faktiskā lietošanas laikā var atšķirties no deklarētajām vērtībām atkarībā no tā, kā tiek izmantots instruments un kāds materiāls tiek apstrādāts.

Operatora aizsardzībai nepieciešams notiekt drošības līdzekļus, kuri pamatojas uz iedarbības novērtējumu faktiskajā lietošanas laikā (ņemot vērā visas operatīvā cikla darbības daļas, kā piemēram laiku, kurā instruments ir izslēgts un kad strādā tukšgaitā, izņemot sprūda laiku).

SAGATAVOŠANA DARBAM:

■ Akumulatoru lādēšana

Skrūvgrīzies tiek piegādāts ar daļēji uzlādētu akumulatoru. Pirms lietošanas akumulatoru nepieciešams pilnībā uzlādēt. Pirmo lādēšanu ieteicams veikt 3 stundas.

1. Nospiežot akumulatora bloķēšanas pogas **(11)** un izņemot akumulatoru **(10)** no skrūvgrīža-urbjmašīnas (skat. zīm. B).
2. Pievienojiet akumulatoru **(10)** lādētājam **(12)** (skat. zīm. C).
3. Pievienot lādētāja kontaktdakšīņu 100-240V, 50/60Hz tikla līdždā.

■ Baterijas lādēšanas signalizācija

Zaļā degošā LED diode informē, ka lādētājs ir pieslēgts pie barošanas avota. Pēc akumulatora pievienošanas iedegsies **sarkanā** diode, kura informē, ka notiek lādēšana.

Kad baterija būs pilnībā uzlādēta sarkanā diode nodzisis un iedegsies zaļā diode.

Lādēšanas gaitā automātiski samazinās lādēšanas strāva. Pēc apm. 3 stundām lādēšanas strāva stabilizējas uz minimālā līmeņa (uzturošā lādēšana), kas novērš akumulatora pārlādēšanu un sabojāšanos.

Pēc lādēšanas beigām atvienot lādētāju no tīkla un izņemt akumulatoru.

Litija-jonu akumulatoru var lādēt jebkurā brīdī, tādā veidā netiek saīsināta tā ilgmūžība. Lādēšanas procesa pārtraukšana nerada akumulatora elementu bojājuma risku.

DARBA LAIKĀ:

■ Ieslēgšana/izslēgšana

Slēdzim **(8)** ir bezpakāpu apgriezienu ātruma regulēšana.

Lai ieslēgtu elektroinstrumentu nepieciešams nospiegt slēdzi. Apgriezienu ātrums palielināsies jo dziļāk iespiež slēdzi. Lai izslēgtu elektroinstrumentu nepieciešams slēdzi atbrīvot.

■ Akumulatora ietilpības rādītājs

Akumulatora ietilpības rādītājs **(3)** signalizē baterijas izlādēšanās pakāpi ar trīs krāsainām LED diodēm.

Deg visas LED diodes:

Akumulators ir pilnībā uzlādēts.

Deg dzeltenā un sarkanā LED diode:

Akumulators ir pietiekami uzlādēts.

Deg tikai sarkanā LED diode:

Akumulators ir izlādēts, to nepieciešams uzlādēt.

■ Apgriezienu virziena maiņa (zīm. E)

Skrūvgrīzīm ir darba iespēja ar apgriezienu pulksteņa rādītāja kustības virzienā (labie apgriezieni) vai pretēji pulksteņa rādītāja kustības virzienam (kreisie apgriezieni):

- lai uzstādītu labos apgriezienus, nepieciešams pārbidīt kreiso/labo **(5)** apgriezienu maiņas slēdzi pa kreisi (skatoties no skrūvgrīža aizmugures),

- lai uzstādītu kreisos apgriezienus, nepieciešams pārbidīt kreiso / labo **(5)** apgriezienu maiņas slēdzi pa labi (skatoties no skrūvgrīža aizmugures).

Kad apgriezienu maiņas slēdzis atrodas vidus stāvoklī - slēdzis ir bloķēts.

Urbšanai un skrūvju ieskrūvēšanai nepieciešams uzstādīt labos apgriezienus. Urbja izvadīšanai, iekļēta urbja izņemšanai un skrūvju ieskrūvēšanai nepieciešams uzstādīt kreisos apgriezienus.

■ Griezes momenta izvēle (zīm. F)

Urbjmašīna aprīkota ar gredzenu **(2)**, kurš kalpo griezes momenta uzstādīšanai ieskrūvējot skrūves. Uz gredzēna ir apzīmētas 18 pozīcijas, no 1 līdz 18.

Uzstādot gredzēna izvēlētā stāvoklī (no 1 - 18) notiek pastāvīga sajūga uzstādīšana uz noteiktu griezes momenta vērtību. Tas dod iespēju nodrošināties pret skrūves pārāk dziļu ieskrūvēšanu vai skrūves sabojāšanu. Dažādiem skrūvēm un dažādiem materiāliem lieto dažādus ieskrūvēšanas momentus.

Vienmēr nepieciešams sākt ar mazu momenta vērtību un to pakāpeniski palielināt, līdz sasniedzam vēlamu rezultātu.

Lai urbtu metālā, kokā un plastmasā nepieciešams uzstādīt gredzenu **(2)** tā, lai atzīme **(13)** sakristu ar pozīciju 18.

■ Darba režīma izvēle



UZMANĪBU: Darba režīma maiņu drīkst veikt tikai tad, kad elektroinstrumenti ir izslēgti! Pretējā gadījumā elektroinstrumenti var tikt bojāti.

Ar darba režīma maiņas slēdzi **(3)** var mainīt elektroinstrumenta darba režīmu.

Lai mainītu darba režīmu, pārvietojiet darba režīma slēdzi vēlamajā pozīcijā, līdz būs dzirdama sprūdrata iedarbība.

Urbšana:

Pārvietot slēdzi **(3)** uz simbolu .

Skrūvju ieskrūvēšana:

Pārvietot slēdzi **(3)** uz simbolu .

■ Ātruma pārslēgšana

Ar ātruma pārslēdzēju (4) var izvēlēties 2 apgriezienu ātruma diapazonus.

I ātrums: Lieto urbšanai.

II ātrums: Lieto skrūvju ieskrūvēšanai vai izskrūvēšanai.

UZMANĪBU: *Nemainīt ātruma maiņas pārslēdzēju (4) instrumenta darba laikā, tas var sabojāt pārnesumu. Pirms ātruma pārslēgšanas instrumentam vienmēr nepieciešams dod iespēju pilnībā apstāties.*

Ja ātruma pārslēdzēju nevar novietot gala stāvoklī, nepieciešams nedaudz pakustināt piedziņas vārpstu.

■ Patronas maiņa (zīm. G)

1. Atvienot akumulatoru (10) no skrūvgrieža.
2. Patronu maksimāli atvērt (1).
3. Ar skrūvgriezi PH 2 (Philips Nr 2) pulksteņa rādītāja kustības virzienā atskrūvēt patronas stiprināšanas skrūvi (14) (**UZMANĪBU! Kreisā vītne**).
4. Turot patronas gredzenu un atskrūvēt urbjmašīnas-skrūvgrieža patronu pretēji pulksteņa rādītāja kustības virzienam (skatoties no patronas puses).

UZMANĪBU: *Iekļietu bez atslēgas urbjmašīnas patronu (1) var atbrīvot nostiprinot īsako gala atslēgas galu patronā un viegli iesitot pa atslēgas garāko daļu (skat. zīm. D).*

5. Lai uzstādītu patronu to nepieciešams uzskrūvēt uz vārpstu pulksteņa rādītāja kustības virzienā (skatoties no patronas puses) un nofiksēt ar stiprināšanas skrūvi, pieskrūvējot to ar skrūvgriezi PH 2 (Philips Nr 2) pretēji pulksteņa rādītāja kustības virzienam. Lai patrona negrieztos stiprināšanas skrūves ieskrūvēšanas laikā patronu nepieciešams turēt aiz gredzena.

■ Palīg apgaismojums

• Urbjmašīna-skrūvgriezis ir aprīkota ar urbšanas/skrūvēšanas vietas palīg apgaismojumu (9), kurš ieslēdzas nospiežot slēdzi (8).

■ Darba instrumentu maiņa

UZMANĪBU: *Atvienot akumulatoru no skrūvgrieža vai apgriezienu virziena maiņas slēdzi (5) novietot vidus stāvoklī, lai nodrošinātos pret negaidītu mašīnas ieslēgšanos, kas varētu ievainot operatoru.*

Pie atbrīvota slēdža (8) notiek urbjmašīnas vārpstas bloķēšanās. Tas dod iespēju urbjmašīnas patronā ātri, ērti un viegli apmainīt darba instrumentu. Lai no patronas izņemtu urbi (vai daba uzgali) nepieciešams pagriezt patronas gredzenu pa kreisi, lai palielinātu patronas caurumu. Lai patronā uzstādītu urbi (vai darba instrumentu) nepieciešams pagriezt patronas gredzenu pa labi, lai panāktu urbjmašīnas spasienu patronā.

Urbi (vai cita tipa darba uzgali) nepieciešams ielikt patronā līdz atdurei.

■ Caurumu urbšana

1. Veicot dziļus urbumus nepieciešams urbt pakāpeniski, mazā dziļumā izvadīt urbi, lai skaidām būtu iespēja izkļūt no cauruma.
2. Lielā diametra caurumu urbšanu ieteicams sākt ar mazāka diametra urbi, pēc tam to urbt uz nepieciešamo izmēru. Tas novērsīs iespējamo urbjmašīnas pārslodzi.
3. Ja urbšanas laikā notiek urbjmašīnas iekļīšanās, nekavējoties nepieciešams izslēgt urbjmašīnu, lai nepieļaut tās sabojāšanos. Lietojot apgriezienu maiņu nepieciešams izvadīt urbi no cauruma.
4. Urbjmašīnu nepieciešams turēt urbtā cauruma asī. Urbim jāatrodas taisnā leņķī attiecībā pret apstrādājamo materiālu. Gadījumā, ja darba laikā nav saglabāts taisnais leņķis caurumā var notikt urbjmašīnas iekļīšanās vai salaušana, un gala rezultātā ievainots operators.

iekļīšanās vai salaušana, un gala rezultātā ievainots operators.

Vārpstas apgriezienu ātruma regulāciju veic ar attiecīgu spiediena spēku uz slēdzi.

■ Skrūvju ieskrūvēšana

Vspirms ieteicams veikt pilotējošo urbumu, nedaudz dziļāku par skrūves garumu un nedaudz mazāku par tās ārējās vītnes diametru. Gadījumā, ja skrūve atrodas materiāla malas tuvumā, pilotējošā cauruma izveidošana novērsīs iespēju materiālam atlauzties. Ja skrūves ieskrūvēšana ir apgrūtināta, tad nepieciešams skrūvi izskrūvēt un palielināt pilotējošo caurumu.

Ja ieskrūvēšana notiek ar grūtībām (kas var būt cieta koka gadījumā) nepieciešams pamēģināt lietot smērējošo līdzekli (piem. šķidrās ziepes). Nepieciešams pielikt attiecīgu spiedienu uz skrūvgriežēju, lai nepieļautu skrūvgrieža uzgāli pagriešanos attiecībā pret skrūves galviņu. Lietot uzgāļus precīzi pielāgotus skrūves galvai. Sabojāta skrūves galviņas ligzda var apgrūtināt skrūves ieskrūvēšanu vai izskrūvēšanu.

GLABĀŠANA UN KONSERVĀCIJA:

Instruments principā nav nepieciešama speciāla konservācija. Mašīnu nepieciešams glabāt bērniem nepieejamās vietās, uzturēt tīrā stāvoklī, sargāt no mitruma un putekļiem. Glabāšanas apstākļiem jāizslēdz mehānisko bojājumu iespēju kā arīkaitīgo atmosfēras apstākļu iedarbību.

UZMANĪBU: *Vienmēr pirms tīrīšanas un konservācijas sākuma nepieciešams atslēgt akumulatoru no skrūvgrieža un izvilkt lādētājs kontaktakšīņu no barošanas ligzdas.*

Lādētāju nepieciešams tīrīt lietojot tikai sausu drānu.

Skrūvgrieža ventilācijas atveres nepieciešams periodiski tīrīt ar sausu birstīti un drānu. Periodiski nepieciešams noņemt patronu un izbērt no tā putekļus un citus netīrumus.

Skrūvgrieža korpusu periodiski tīrīt ar mitru drānu un ziepēm, lai noņemtu putekļus un citus netīrumus. Nelietot nekādas tīrīšanas līdzekļus vai šķīdinātājus, tie var sabojāt no plastmasas izgatavotas ierīces daļas. Nepieciešams uzmanīties, lai ierīces iekšpusē neieklūtu ūdens. Pēc tīrīšanas pagaidīt līdz skrūvgriežis pilnīgi izžūst.

TRANSPORTS:

Urbjmašīna-skrūvgriežis transportēt un glabāt transportēšanas koferī, kurš sargā pret mitrumu, putekļiem un smalkiem elementiem, īpaši nepieciešams nodrošināt ventilācijas atveres. Smalkie elementi, kuri iekļūst korpusa iekšienē var sabojāt dzinēju.

APKĀRTĒJĀS VIDES AIZSARDZĪBA:



UZMANĪBU: *Uzrādītais simbols nozīmē, ka aizliegts novietot nolietoto ierīci kopā ar citiem atkritumiem (iespējams naudas sods). Bīstamās sastāvdaļas, kuras atrodas elektriskās ierīces negatīvi ietekmē uz apkārtējo vidi un cilvēku veselību.*

Mājsaimniecībām jāņem dalība nolietoto ierīču atgūšanā un atkārtotā izlietošanā (reciklīgā). Polijā un Eiropā tiek radīta vai jau pastāv nolietoto ierīču savākšanas sistēma, kura ietvaros visiem augstāk minēto ierīču pārdošanas punktiem ir pienākums pieņemt nolietotās ierīces. Bez tam pastāv augstāk minēto ierīču savākšanas punkti.

PIKTOGRAMMAS:

Apzīmējumu skaidrojums, kuri atrodas uz plāksnītes un informācijas uzlīmēm:



– «Pirms ieslēgšanas un darba sākuma nepieciešams iepazīties ar šo instrukciju.»



– «Vienmēr lietot aizsargbrilles.»



– «Lietot aizsargcimdus»



– «Lietot dzirdes aizsardzības līdzekļus»



– «Lietot putekļu maskas»



– «Sargājiet akumulatoru no karstuma, piemēram, no ilgstošas atrašanās saules staros vai uguns tuvumā.»



– «Izmantotos akumulārus nedrīkst mest ugunī.»



– «Izmantotos akumulārus nedrīkst mest ūdenī.»

RAŽOTĀJS:

Profix SIA;
Marywilka iela 34,
03-228 Varšava, Polija

Šī ierīce ir saskaņā ar valsts un Eiropas normām, ka arī drošības prasībām.

Visāda veida remontus veic kvalificēt personāls, lietojot oriģinālas rezerves daļas.

POTENCIĀLĀS PROBLĒMAS UN TO ATRISINĀŠANAS VEIDI:

PROBLĒMA	IESPĒJAMĀIS IEMESLS	RISINĀJUMS
Skrūvgriezis-urbjmašīna nedarbojas.	Nav barošanas, bojāts dzinējs vai slēdzis.	Pārbaudīt baterijas stāvokli, nepieciešamības gadījumā uzlādēt vai apmainīt pret jaunu. Ja elektroinstruments joprojām nedarbojas, nepieciešams to nosūtīt remonta servisā uz garantijas kartē uzrādīto adresi.
Dzinēja darbības traucējumi.	Izlādēta baterija. Nolietotas ogļiņu sukuks.	Īncārcaņi baterija. Schimbaņi periile de cārbune in-tr-un service.



Firmas PROFIX politika ir nepārtraukta savu produktu pilnveidošanas politika, tāpēc firma sev rezervē tiesības ievest izstrādājuma specifiskācijas izmaiņas bez iepriekšējas paziņošanas. Zīmējumi, kuri uzrādīti apkalpošanas instrukcijā kalpo tikai kā piemērs un var nedaudz atšķirties no iegādātās ierīces reālā izskata.


Šī instrukcija ir sargāta ar autortiesībām. Aizliegts to kopēt/pavairot bez PROFIX SIA rakstiskas atļaujas.



PŘED ZAHÁJENÍM POUŽÍVÁNÍ SE SEZNAMTE S TÍMTO NÁVODEM.

Uchovávejte návod pro případné další použití.



POZOR! Přečtěte si všechny výstrahy týkající se bezpečnosti používání označené symbolem  a veškeré pokyny týkající se bezpečnosti používání.

Nedodržování uvedených bezpečnostních výstrah a bezpečnostních pokynů může být příčinou zásahu elektrickým proudem, požáru a/nebo závažných úrazů.

Uchovávejte výstrahy a pokyny týkající se bezpečnosti pro případné použití v budoucnosti.

V níže uváděných výstrahách pojem „elektronářadí“ znamená elektronářadí napájené z elektrické sítě (elektrickým vodičem) nebo elektronářadí napájené baterií (bezdrátové).



VÝSTRAHA! Všeobecné výstrahy týkající se bezpečného používání nářadí.

Bezpečnost na pracovišti:

- Udržujte na pracovišti pořádek a zajistěte zde dobré osvětlení. Nepořídek a špatné osvětlení často zapříčiňují nehody.
- Nepoužívejte elektronářadí ve výbušném prostředí tvořeném hořlavými tekutinami, plyny nebo prachem. Elektronářadí vytváří jiskry, které by mohly zapálit prach nebo výpary.
- Nepouštějte děti ani jiné pozorovatele na místa, kde se používá elektronářadí. Rušení pozornosti může způsobit ztrátu kontroly nad elektronářadím.



VÝSTRAHA! Všeobecné výstrahy týkající se bezpečného používání nářadí.

Elektrická bezpečnost:

- Zástrčky nářadí musí odpovídat zásuvkám. Nikdy žádným způsobem nepředělávejte zástrčky. V případě elektronářadí, které má vodič s ochranným uzemněním, nepoužívejte žádné prodlužovačky. Původní nepředělané zástrčky a zásuvky snižují riziko zásahu elektrickým proudem.
- Vyvarujte se dotýkání uzemněných ploch nebo takových, které jsou spojené s hmotou, jako jsou trubky, ohřívače, radiátory ústředního topení a chladničky. V případě dotýkání takových ploch a předmětů roste riziko zásahu elektrickým proudem.
- Nevystavujte elektronářadí na působení deště nebo vlhka. Pokud by se do elektronářadí dostala voda, roste riziko zásahu elektrickým proudem.
- Kabely se nesmí žádným způsobem namáhat. Nikdy nepoužívejte kabel k nošení, tažení elektronářadí nebo k vytahování zástrčky ze zásuvky. Kabel musí být umístěn daleko od zdrojů tepla, oleje, ostrých hran nebo pohyblivých částí. Poškozené nebo propletené kabely zvyšují riziko zásahu elektrickým proudem.
- V případě, že se elektronářadí používá venku, je třeba prodlužovat elektrické kabely prodlužovací určenými na práci venku. Používání prodlužovace určeného do venkovního prostředí snižuje riziko zásahu elektrickým proudem.
- Doporučuje se připojení zařízení k elektrické síti vybavené proudovým chráničem (RCD) s vypínacím proudem 30mA nebo menším.

- Pokud je nezbytné použití elektronářadí ve vlhkém prostředí, je třeba použít jako ochranu proudový chránič (RCD). Použití RCD snižuje riziko zásahu elektrickým proudem.



VÝSTRAHA! Všeobecné výstrahy týkající se bezpečného používání nářadí.

Osobní bezpečnost:

- Toto zařízení nesmí používat osoby (včetně dětí) s omezenou fyzickou, smyslovou nebo psychickou schopností, nebo osoby, které nemají odpovídající zkušenosti nebo znalosti zařízení, leda že je používají s příslušným dozorem, nebo v souladu s návodem na používání zařízení, který jim předají osoby zodpovědné za jejich bezpečnost.
- Při používání elektronářadí je třeba být předvídatý, pozorovat, co se děje, a používat zdravý rozum. Nepoužívejte elektronářadí, pokud jste unavení nebo pod vlivem drog, alkoholu nebo léků. Chvilé nepozornosti při práci s elektronářadím může způsobit závažné osobní úrazy.
- Je třeba používat osobní ochranné prostředky. Je třeba vždy používat ochranné brýle. Používání v příslušných podmínkách takových ochranných prostředků, jako je protiprachová respirační maska, protiskluzová obuv, přilba nebo chrániče sluchu, snižuje nebezpečí osobních úrazů.
- Je třeba se vyhnout neplánovanému spuštění. Před připojením k elektrickému zdroji a/nebo před zapojením baterie a než se nářadí zvedne, nebo přeneše, je třeba se ujistit, že je vypínač elektronářadí v poloze vypnuto. Přenášení elektronářadí s prstem na vypínači nebo připojení elektronářadí do sítě se zapojeným vypínačem může být příčinou nehody.
- Před spuštěním elektronářadí je třeba odstranit všechny klíče. Ponechání klíče v otáčející se části elektronářadí může způsobit poranění.
- Je zakázáno přilísit se nakláňet. Po celou dobu musíte stát pevně a udržovat rovnováhu. Umožní Vám to dobře kontrolovat elektronářadí při nepředvídatelných situacích.
- Je třeba mít vhodné oblečení. Při práci nenoste volné oblečení ani bižuterii. Je třeba zajistit, aby Vaše vlasy, oblečení a rukavice byly v bezpečné vzdálenosti od pohyblivých částí. Volné oblečení, bižuterie nebo dlouhé vlasy se mohou zachytit do pohyblivých částí.
- Pokud je zařízení přizpůsobeno na napojení k vnějšímu odsávání prachu a pohlcovači prachu, ujistěte se, že jsou připojeny a řádně se používají. Použitím pohlcovačů prachu můžete omezit nebezpečí závislé na prašnosti.
- Neodvolte, aby vaše znalosti získané častým používáním elektronářadí způsobily, že se budete cítit sebejistě a začnete ignorovat bezpečnostní pravidla. Neopatrnost při činnosti může způsobit v zlomku sekundy závažný úraz.



VÝSTRAHA! Všeobecné výstrahy týkající se bezpečného používání nářadí.

Používání elektronářadí a péče o ně:

- Elektronářadí se nesmí přetěžovat. Je třeba používat elektronářadí s výkonem vhodným pro provádění určité práce. Správné elektronářadí umožní lepší a bezpečnější práci se zátěží, na kterou bylo naprojektováno.

- b) **Elektronářadí, u kterého nefunguje spínač, se nesmí používat.** Každé elektronářadí, které nelze zapínat nebo vypínat spínačem, je nebezpečné a je třeba je opravit.
- c) **Před provedením každého seřízení, výměny součástky nebo před skladováním odpojte zástrčku elektronářadí od zdroje elektrického proudu a/nebo odpojte baterii.** Takový bezpečnostní postup omezuje riziko náhodného spuštění elektronářadí.
- d) **Nepoužívané elektronářadí uchovávejte mimo dosah dětí a nedovolte přístup osobám, které nejsou obeznámené s elektronářadím nebo s tímto návodem na používání elektronářadí.** Elektronářadí může být nebezpečné v rukách nevyškolených uživatelů.
- e) **Elektronářadí je třeba udržovat.** Je třeba kontrolovat souost nebo zaseknutí pohyblivých částí, praskliny součástí a veškeré další faktory, které by mohly ovlivnit činnost elektronářadí. Pokud zjistíte poškození, musíte elektronářadí před použitím opravit. Příčinou mnohých nehod je neodborná údržba elektronářadí.
- f) **Řezací nástroje musí být ostré a čisté.** Řádná údržba ostrých hran řezacích nástrojů snižuje pravděpodobnost zaseknutí a usnadňuje obsluhu.
- g) **Elektronářadí, vybavení, pracovní nástroje apod. používejte v souladu s tímto návodem, při čemž zohledňujte pracovní podmínky a druh prováděné práce.** Používání jiným způsobem, pro který není elektronářadí určeno, může způsobit nebezpečné situace.
- h) **V nízkých teplotách, nebo pokud se nářadí po delší dobu nepoužívá, doporučuje se zapnout elektronářadí bez zátěže po dobu několika minut za účelem řádného promazání mechanismu pohonu.**
- i) **K čištění elektronářadí používejte měkký, vlhký (ne mokry) hadřík a mýdlo.** Nepoužívejte benzin, rozpouštědla a další prostředky, které by mohly poškodit zařízení.
- j) **Elektronářadí je třeba skladovat / dopravovat až potom, co se ujistíte, že jsou veškeré jeho pohyblivé součásti zablokované a zajištěné proti odblokování s použitím původních součástek určených k tomuto účelu.**
- k) **Elektronářadí skladujte na suchém místě chráněném proti prachu a průniku vlhkosti.**
- l) **Doprava elektronářadí by měla probíhat v původním obalu tak, aby bylo chráněné proti mechanickému použití.**
- m) **Držáky a plochy uchopení udržujte čisté, nezamastěné olejem a mazivem.** Kluzké držáky a plochy uchopení neumožňují bezpečné držení nářadí a jeho plnou kontrolu v nečekaných situacích.



VÝSTRAHA! Všeobecné výstrahy týkající se používání nářadí.

Oprava:

- a) **Záruční a pozáruční opravy svého elektronářadí provádí Servis PROFIX, což zaručuje nejvyšší kvalitu oprav a používání původní náhradních dílů.**



UPOZORNĚNÍ! Vrtací aku šroubovák, výstrahy týkající se bezpečnosti –

Osobní bezpečnost:

- a) **Používejte ochranu sluchu během práce s vrtacím aku šroubovákem.** Vystavování se hluku může způsobit ztrátu sluchu.
- b) **Během provádění prací, při kterých by mohl pracovní nástroj nebo šroub narazit na skryté elektrické vodiče, je třeba elektronářadí držet za izolované povrchy držáků.** Kontakt s elektrickým vedením může způsobit převedení napětí na kovové části

nářadí, což může zapříčinit zásah elektrickým proudem.

- c) **Používejte vyhledávače skrytého elektrického vedení nebo si vyžádejte pomoc správce budovy.** Kontakt s elektrickým vedením pod napětím může způsobit vznik požáru a zásah elektrickým proudem. Průnik do vodovodních trubek zapříčiní vznik materiálních škod.
- d) **Nepracujte s materiálem obsahujícím azbest.** Azbest způsobuje onkologická onemocnění.
- e) **Pracovní místo je třeba udržovat čisté.** Směsi materiálů jsou obzvlášť nebezpečné. Prach z lehkého kovu se může vznítit nebo vybuchnout.
- f) **Zabezpečte obráběný předmět.** Ujistěte se, že všechny upevňovací svorky jsou stisknuté a zajistěte, aby nebyly příliš volné. Upevňovací předmětu v úchytu nebo ve svéráku je bezpečnější, než držet jej v ruce.
- g) **Při práci držte stroj vždy pevně oběma rukama a zajistěte si bezpečný postoj.** Oběma rukama je elektronářadí vedeno bezpečněji.
- h) **Je třeba okamžitě vypnout elektronářadí, pokud by se používané elektronářadí vzpříčilo.** Je třeba se připravit na vysoké vibrace, které způsobují zpětný ráz. Používané nářadí se vzpříčí, pokud je přetíženo nebo je v obráběném předmětu nakřivo.
- i) **Před odložením elektronářadí je třeba počkat, až se přestane otáčet.** Pracovní nástroj by se mohl zablokovat a zapříčinit ztrátu kontroly nad elektronářadím.
- j) **Elektronářadí je třeba používat výhradně s akumulátory určenými k jeho napájení.** Použití jiných akumulátorů může vzniknout nebezpečí poranění nebo požáru.

Bezpečnostní pokyny pro používání dlouhých vrtáků:

- a) **Nikdy nepracujte s větší rychlostí, než je maximální rychlost otáček vrtáku.** Vrtání začínejte vždy s malou rychlostí a až po doteku vrtákem obráběného předmětu. Při vyšších rychlostech se může vrták, pokud se otáčí volně bez kontaktu s obráběným předmětem, ohýbat a způsobit úraz.
- b) **Během vrtání přitlačte vrták k obráběnému předmětu v jedné linii s vrtákem, při tom se nemá tlačít na vrták příliš silně.** Vrtáky se mohou ohýbat a tím způsobit poškození nebo ztrátu kontroly, což může vést k úrazu.



VÝSTRAHA! Bezpečné používání akumulátorů a nabíječek –

Používání akumulátorů:

- a) **Je třeba používat výhradně akumulátory shodné se specifikací uvedenou výrobcem.** V případě použití jiných akumulátorů může dojít k prasknutí a rozpadu akumulátoru, úrazu nebo požáru.
- b) **POZOR: V případě poškození a nesprávného používání akumulátoru může dojít k uvolňování výbušných plynů.** Akumulátor je třeba vždy udržovat v bezpečné vzdálenosti od zdroje ohně a zajistit vhodné větrání během nabíjení. Nesmíte jej nechat po delší dobu v prostředí, ve kterém je vysoká teplota (na prosluněných místech, poblíž radiátorů nebo kdekoli, kde je teplota vyšší než 40 stupňů).
- c) **Nabíjení akumulátoru by mělo probíhat v rozsahu teplot 15-25 °C.**
- d) **Nabíjet je třeba výhradně nabíječkou doporučenou výrobcem.** Použití nabíječky určené k nabíjení akumulátorů jiného druhu vytváří riziko vzniku požáru.
- e) **Nevystavujte akumulátor na působení vody a vlhkosti.**
- f) **Pokud chcete nabíjet postupně více než jeden akumulátor, udělejte 30 minutovou přestávku mezi nabíjením.**
- g) **V žádném případě akumulátor neotevírejte.**
- h) **V nevhodných podmínkách může z akumulátoru unikat**

kapalina; zabraňte kontaktu s kapalinou. Pokud dojde náhodně ke styku uživatele s tekutinou, místo kontaktu je třeba umýt vodou. Pokud se kapalina dostane do očí, je třeba navíc hledat lékařskou pomoc. Tekutina, která se dostává z akumulátoru, může způsobit podráždění nebo popálení.

i) V době, kdy se akumulátor nepoužívá, je třeba jej uchovávat v bezpečné vzdálenosti od takových kovových předmětů, jako jsou sponky na papír, mince, klíče, hřebíky, šrouby, nebo jiné malé kovové předměty, které by mohly způsobit zkrat akumulátoru. Zkrat akumulátoru může způsobit úraz nebo požár.

j) **Nevyhazujte akumulátor do ohně.**

k) **Je zakázáno používat poškozený akumulátor.**



Akumulátory jsou určeny k opakovanému nabíjení, obsahují zdraví škodlivé Li-ion.

Po ukončení doby životnosti je třeba je likvidovat v souladu s předpisy o ochraně životního prostředí.

Za tímto účelem zcela vybijte akumulátor, vytáhněte jej z elektronářadí, předejte do místa likvidace akumulátorů nebo odevzdejte do prodejny, ve které jste provedli nákup.

Používání nabíječky:

a) **Nabíjejte výhradně nabíječkou doporučenou výrobcem.**

Použití nabíječky určené k nabíjení akumulátorů jiného typu vytváří riziko vzniku požáru.

b) **Je zakázáno nabíječku rozšroubovat.**

c) **Nabíječka je určená výhradně na práci uvnitř místnosti.** Je zakázáno ji vystavovat na působení vody a vlhka.

d) **Nabíjejte pouze v rozsahu teplot 15-25 stupňů.**

e) **Je zakázáno vkládat jakékoliv kovové předměty do nabíječky.**

URČENÍ A KONSTRUKCE ŠROUBOVÁKU:

Vrtací aku šroubovák je určený ke šroubování a odšroubování vrutů, vrtání otvorů do takových materiálů, jako je ocel, dřevo, umělá hmota, apod.

Vrtací aku šroubovák je určený výhradně k hobby použití. **Je zakázáno využívat toto nářadí na provádění prací vyžadujících profesionální nářadí.**

Každé použití zařízení jinak, než to vyplývá z jeho výše uvedeného určení, je zakázáno, způsobuje ztrátu záruky a osvobozuje výrobce od odpovědnosti za takto způsobené škody.

Jakékoliv úpravy zařízení prováděné uživatelem osvobozuje výrobce od odpovědnosti za poškození a škody způsobené uživateli a v okolí.

Správné používání elektronářadí se týká také údržby, skladování, dopravy a oprav.

Elektronářadí mohou opravovat pouze servisní opravny určené výrobcem. Zařízení, které je napájeno ze sítě, by měly opravovat pouze osoby, které jsou k tomuto oprávněny.

I při používání nářadí v souladu s jeho určením nelze zcela eliminovat určité rizikové faktory. Vzhledem ke konstrukci a stavbě stroje se mohou vyskytnout následující ohrožení:

- dotek rotujícího vrtáku během práce rukou nebo oblečení obsluhy;
- spálení při výměně vrtáku. (Během práce se vrták silně zahřívá, abyste se při jeho výměně chránili před popálením, používejte ochranné rukavice);
- odhození obráběné věci nebo její části;
- zkrivení/zlomení vrtáku.

■Komplectace:

- Vrtací aku šroubovák - 1 ks.
- Akumulátor - 1 ks.
- Nabíječka - 1 ks.
- Záruční líst - 1 ks.
- Návod na obsluhu - 1 ks.

■Součásti zařízení

Číslování součástí zařízení se vztahuje ke grafickému znázornění umístěnému na stránce 2 návodu na obsluhu:

Obr. A 1. Rychloupínací skličidlo

2. Knoflík regulování spojky

3. Otáčecí knoflík změny pracovního režimu

4. Prepínač rychlostí

5. Prepínač směru otáček

6. Ukazatel kapacity baterie

7. Držák

8. Vypínač

9. Pomocné osvětlení

Obr. B 10. Akumulátor

11. Tlačítka blokády akumulátoru

Obr. C 12. Nabíječka

Obr. F 13. Označení nastavení spojky a pracovního režimu

Obr. G 14. Upevňující šroub levotočivý

15. Vřetenno

TECHNICKÉ ÚDAJE:

MODEL	VZV12
Napětí přívodu napájení	DC 12 V
Rychlost otáček bez zátěže	0-350/0-1300 min ⁻¹
Max. kroutcí moment	25 Nm
Rozsah upnutí vrtacího skličidla	ø 0,8-10 mm
Hmotnost (s akumulátorem)	1,02 kg
Hladina akustického tlaku (LpA)	76,3 dB(A)
Hladina akustického výkonu (LwA)	87,3 dB(A)
Tolerance měření KpA, KwA	3 dB(A)
Úroveň vibrací podle normy: EN 62841-2-1 (tolerance měření K=1,5 m/s ²)	a _{h0} = 1,44 m/s ²
Typ akumulátoru	Li-ion
Jmenovitá napětí	12V
Kapacita akumulátoru	1300mAh
Nabíječka	
Napětí vstupní	100-240 V/0,3A
Frekvence sítě	50/60 Hz
Výstupní proud (DC)	22V/ 0,5A
Doba nabíjení	3 h

Uvedená úroveň vibrací platí pro základní použití elektronářadí. Pokud by bylo elektronářadí použito jinak nebo s jinými pracovními nástroji, a také pokud nebude prováděna dostatečná údržba, úroveň vibrací se může lišit od uvedené. Výše uvedené důvody mohou způsobit zvýšení vystavení vibracím během celé doby práce.

Je třeba uplatnit další bezpečnostní prostředky, jejichž účelem je ochrana obsluhy proti důsledkům vystavení vibracím, např.: udržbu elektronářadí a pracovních nástrojů, zajištění vhodné teploty rukou, určení pořadí pracovních úkonů.

Deklarovaná celková hodnota vibrací a deklarované hodnoty emisí hluku byly naměřeny standardními způsoby zkoušení a lze je používat pro účely srovnávání s jiným nářadím.

Deklarovaná celková hodnota vibrací a deklarované hodnoty emisí hluku lze využívat při předběžném vyhodnocení vystavení.

Výstrahy:

Vibrace a emise hluku během skutečného používání elektronářadí se mohou lišit od deklarovaných hodnot v závislosti na způsobu, jakým je nářadí používáno, a především v závislosti na druhu obráběného předmětu.

Je třeba určit bezpečnostní prostředky na ochranu obsluhy, a to na základě odhadu skutečného vystavení během používání (při zohlednění všech částí operačního cyklu, jako je doba, po kterou je nářadí zapnuto, a doba, kdy je na volnoběhu, s výjimkou doby spouštění).

PŘED ZAČÁTKEM PRÁCE:

■ Nabíjení akumulátoru:

Vrtací aku šroubovák se dodává s částečně nabitým akumulátorem. Před použitím je třeba akumulátor zcela nabít. Pro první nabíjení se doporučuje nabíjení po dobu minimálně 3 hodiny.

1. Stlačte tlačítka blokování baterie (11) a vyjměte akumulátor (10) z akušroubováku s vrtačkou (viz obr. B).
2. Zapojte akumulátor (10) do nabíječky (12) (viz obr. C).
3. Zapojte zástrčku nabíječky do síťové zásuvky 100-240V, 50/60Hz.

■ Kontrolka nabíjení akumulátoru:

Zelené světlo LED diody na nabíječce informuje o tom, že je nabíječka připojena ke zdroji napájení. Po zapojení akumulátoru se rozsvítí **červená** dioda, která informuje, že probíhá nabíjení.

Když bude baterie zcela nabitá, červená dioda zhasne a rozsvítí se zelená. Během nabíjení dochází k postupnému poklesu proud nabíjení. Po cca 3 hodinách se proud nabíjení stabilizuje na minimální úrovni (udržování nabíjení), což brání příliš velkému nabití a poškození baterie.

Po ukončení nabíjení, odpojte nabíječku ze sítě a vyjměte akumulátor.

Akumulátor Li-ion lze bez zkrácení životnosti kdykoli nabít. Přerušení procesu nabíjení nepoškozuje akumulátor.

BĚHEM PRÁCE:

■ Vypínání/zapínání

Nainstalovaný vypínač (8) má plynulou regulaci otáčecí rychlosti.

Pro vypnutí elektronářadí stlačte vypínač. Rychlost otáček se bude zvyšovat tím více, čím více stlačíte tlačítko. Pro zastavení elektronářadí je třeba pustit vypínač.

■ Ukazatel kapacity baterie

Ukazatel kapacity baterie (3) hlásí stav nabití baterií třemi barevnými LED kontrolkami.

Všechny LED kontrolky svítí:

Baterie je zcela nabitá.

Svítil pouze červená a žlutá LED kontrolka:

Baterie je dostatečně nabitá.

Svítil pouze červená LED kontrolka:

Baterie je vybitá a je třeba ji nabít.

■ Volba směru otáček (obr. E):

Šroubovák má možnost pracovat s otáčkami šroubování v souladu s pohyby hodinových ručiček (pravé otáčky) nebo v protisměru pohybu hodinových ručiček (levé otáčky):

- pro nastavení pravých otáček je třeba posunout přepínač levých/ pravých otáček (5) doleva (z pohledu zezadu šroubováku);
- pro nastavení levých otáček je třeba posunout přepínač levých/ pravých otáček (5) doprava (z pohledu zezadu šroubováku).

Když je přepínač směru otáček ve střední poloze, je zablokovaný.

Kvrtání a šroubování vrutů nastavte pravé otáčky. Při vytahování vrtačky, vytahování vzpříčeného vrtáku a vyšroubování vrutů je třeba nastavit levé otáčky.

■ Volba krouticího momentu (obr. F):

Vrtací aku šroubovák je vybavený kroužkem (2), který slouží k nastavení krouticího momentu při šroubování vrutů. Na kroužku je označených 18 pozic, od 1 do 18.

Nastavení ve zvolené poloze (od 1 - 18) způsobuje trvalé nastavení spojky na určitou velikost krouticího momentu. Umožňuje to chránit se před zašroubováním vrutu příliš hluboko nebo poškozením vrutu. Pro různé vruty a různé materiály se používají různé velikosti krouticího momentu.

Je třeba začít s malým momentem a postupně jej zvětšovat, až po dosažení uspokojivého výsledku.

Pro vrtání v kovu, dřevu a umělé hmotě je třeba nastavit kroužek (2) tak, aby se značka (13) překryla s pozicí 18.

■ Volba pracovního režimu



POZOR: Změny pracovního režimu provádějte pouze tehdy, když je elektronářadí vypnuto! V opačném případě se elektronářadí může poškodit.

S použitím knoflíku přepínání pracovního režimu (3) lze zvolit pracovní režim elektronářadí.

Pro změnu pracovního režimu přepněte přepínač pracovního režimu do požadované polohy, až uslyšíte cvaknutí západky.

Vrtání:

Otočte knoflíkem (3) na symbol

Šroubování:

Otočte knoflíkem (3) na symbol

■ Přepínání rychlosti

S použitím přepínače rychlosti (4) je možné zvolit 2 rozsahy rychlosti otáček.

Rychlost I: Používá se k vrtání.

Rychlost II: Používá se ke šroubování nebo vyšroubování vrutů.

POZOR: Neměňte polohu přepínání rychlosti (4) během práce nářadí, může to poškodit jeho převody. Vždy je třeba počkat, aby se nářadí zcela zastavilo a až pak přepnout přepínač otáček.

Pokud se přepínač rychlosti nadá posunout až nadoraz, je třeba mírně posunout vřetenem pohonu.

■ Výměna sklíčidla (obr. G):

1. Odpojit akumulátor (10) od vrtačky.
2. Maximálně otevřete sklíčidlo (1).
3. Odšroubujte vrtákem PH 2 (Philips č. 2) ve směru pohybu hodinových ručiček šroub (14) upevňující držák (**POZOR! Levý závit**). Zaseknutý šroub lze uvolnit lehkým poklepem do jeho hlavy.

4. Přidržíte kroužek sklíčidla a odšroubujte sklíčidlo vrtacího aku šroubováku v protisměru pohybu hodinových ručiček (při pohledu ze strany držáku).

POZOR: *Vzpříčený rychloupínací držák vrtáčky (1) lze uvolnit tak, že upevníme kratší stranu v držáku imbusového klíče a lehce klepneme do dlouhého ramene klíče (viz obr. D).*

5. Pro nasazení sklíčidla je třeba jej našroubovat na vřeteno v souladu s pohyby hodinových ručiček (z pohledu ze strany držáku) a zajistit upevňující šroub dotažením šroubovákem PH 2 (Philips č. 2) v protisměru pohybu hodinových ručiček. Aby se sklíčidlo neotáčelo během utahování upevňovacího šroubu, je třeba je přidržet za kroužek.

■ Pomocné osvětlení

- Vrtací šroubovák je vybavený pomocným osvětlením (9) místa vrtání /šroubování, které se zapíná stlačením vypínače (8).

■ Výměna pracovních nástrojů

POZOR: *Odpoj akumulátor od vrtáčky nebo umístí přepínač směru otáček (5) do střední polohy pro zajištění proti náhodnému zapnutí stroje, které by mohlo způsobit zranění obsluhy.*

Při povoleném tlačítku zapínání (8) je vřeteno vrtáčky zablokováno.

Umožňuje to rychlou, pohodlnou a snadnou výměnu pracovního nástroje ve sklíčidle. Pro vytažení vrtáku (nebo pracovní koncovky) z držáku je třeba otáčet kroužkem sklíčidla doleva, za účelem zvětšení otvoru ve sklíčidle. Pro upevnění vrtáku (nebo pracovní koncovky) ve sklíčidle je třeba otáčet kroužkem doprava, aby byl vrták řádně uchycen ve sklíčidle.“ Vrták (nebo jinou pracovní koncovku) je třeba vkládat do sklíčidla až nadoraz.

■ Vrtání otvorů

1. Při provádění hlubokých otvorů je třeba vrtat postupně, do menší hloubky, vracet vrták zpět z otvoru pro umožnění odstranění pilin z otvoru.
2. Při vrtání otvoru s velkým průměrem se doporučuje začít vyvrtáním menšího otvoru a později jej rozvrtat na požadovaný rozměr. Zabrání to nebezpečí přetížení.
3. Pokud dojde ke vzpříčení vrtáku během vrtání, je třeba okamžitě vypnout vrták, abyste nepřipustili jeho poškození. Využijte změnu otáček a vytáhněte vrták z otvoru.
4. Je třeba držet vrtací šroubovák v ose prováděného otvoru. Vrták by měl být nastavený pravouhle vůči povrchu obráběného materiálu. Pokud byste nedodrželi pravý úhel při práci, může dojít ke vzpříčení nebo ke zlomení vrtáku v otvoru a v krajním případě i ke zranění uživatele.

Seřízení rychlosti otáček vřetena probíhá podle síly použité na přitlačení vypínače.

■ Šroubování vrtutí

Doporučuje se vyvrtání nejdříve pilotního otvoru, něco hlubšího než je délka vrtutu a s o něco menším průměrem, než je vnější průměr závitů vrtutu. V případě, že se vrtut najde poblíž hrany materiálu, brání provedení pilotního otvoru nežádoucím odprýsknutím materiálu.

Pokud při šroubování nastanou potíže se zahlubováním vrtutu, je třeba jej vyšroubovat a trochu zvětšit pilotní otvor.

Pokud i nadále budou při šroubování problémy (což by se mohlo stát v případě tvrdých druhů dřeva) je třeba použít mazivo (např. tekuté mýdlo). Při vrtání musíte na vrtátku vyvíjet tlak tak, aby nedošlo k otáčení koncovky vrtáku mimo drážky v hlavě vrtutu. Používejte koncovky,

kteří přesně sedí na hlavu vrtutu. Poškození drážky by mohlo znemožnit zašroubování vrtutu.

SKLADOVÁNÍ A ÚDRŽBA:

Elektronářadí v podstatě nevyžaduje zvláštní údržbářské zásady. Vrtací šroubovák je třeba uchovávat na dětem nedostupném místě, udržovat čistý, chránit proti vlhku a prachu. Podmínky skladování by měly vyloučit možnost mechanických poškození a vliv škodlivých atmosférických podmínek.

POZOR: *Vždy před zahájením čisticích a údržbářských činností je třeba odpojit akumulátor od šroubováku a vytáhnout zástrčku nabíječky ze zásuvky.*

Nabíječku je třeba čistit pouze s použitím suchého hadříku.

Nezbytné je pravidelné čištění větracích otvorů suchým kartáčkem nebo hadříkem. Pravidelné také odmontujte sklíčidlo a vysypte zevnitř prach a jiné nečistoty.

Kryt pravidelně čistěte vlhkým hadříkem s malým množstvím mýdla, abyste odstranili prach a jiné nečistoty. Nepoužívejte žádné čisticí prostředky ani rozpouštědla, mohly by poškodit části zařízení vyrobené z umělé hmoty. Dávejte pozor, aby se dovnitř zařízení nedostala voda. Po vyčištění počkejte, až vrtáčka zcela uschne.

DOPRAVA:

Elektronářadí dopravujte a skladujte v transportním kufříku, který chrání před vlhkem, prachem a drobnými objekty, zvláště je třeba zabezpečit ventilační otvory. Drobné části, které proniknou dovnitř krytu, mohou poškodit motor.

OCHRANA ŽIVOTNÍHO PROSTŘEDÍ:



POZOR: *Zobrazený symbol znamená zákaz likvidace zařízení dohromady s jinými odpady (na porušení zákazu se vztahuje pokuta). Nebezpečné složky, které se nacházejí v elektrickém a elektrotechnickém vybavení mají negativní vliv na životní prostředí a lidské zdraví.*

Domácnosti by se měly zapojit do získávání zpět a opětovného využívání (recyklace) starých elektrospotřebičů. V Polsku a v Evropě se tvoří nebo už existuje systém sběru elektroodpadu, v rámci kterého mají všechna prodejní místa elektrospotřebičů povinnost přijímat elektroodpad. Kromě toho existují sběrná místa pro elektroodpad.

PIKTOGRAMY:

Vysvětlení ikon umístěných na firemním štítku a na informačních nálepkách na zařízení:



«Před spuštěním zařízení si přečtěte návod na obsluhu»



«Vždy používejte ochranné brýle»



«Používejte ochranné rukavice»



«Používejte ochranu sluchu»



– «Používejte ochranu horních dýchacích cest»



– «Chraňte akumulátor proti působení vysokých teplot, např. před trvalým ozářením sluncem»



– «Nevyhazujte akumulátory do ohně.»



– «Nevyhazujte akumulátory do vody.»

TYPICKÉ ZÁVADY A JEJICH ODSTRANĚNÍ:

PROBLÉM	MOŽNÁ PŘÍČINA	ŘEŠENÍ PROBLÉMU
Vrtací šroubovák nefunguje.	Chybí napájení, je poškozen motor nebo vypínač.	Zkontrolujte stav akumulátoru, v případě potřeby jej nabijte nebo vyměňte na nový. Pokud elektronářadí nefunguje, třeba je odeslat do servisní opravy na adresu uvedenou v záručním listu.
Poruchy při práci motoru.	Vybitý akumulátor.	Nabijte akumulátor.
	Opotřebované uhlíkové kartáče.	Vyměňte uhlíkové kartáče v servisní opravě.



Politika firmy PROFIX je politikou průběžného zdokonalování výrobků, z toho důvodu si firma vyhrazuje právo změnit specifikaci výrobku bez předchozího informování. Obrázky, uvedené v návodu na obsluhu, jsou pouze příklady a mohou se lišit od skutečného vzhledu zakoupeného zařízení.

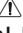
Tento návod je chráněn autorským zákonem. Jeho kopírování / rozmnožování bez písemného souhlasu společnosti PROFIX s.r.o. je zakázané.



HASZNÁLAT ELŐTT OLVASSA EL EZEKET AZ UTASÍTÁSOKAT!

Tartsa meg ezt az útmutatót későbbi tájékozódás céljából!



FIGYELEM! Olvassa el a  szimbólummal jelzett, a munkavédelemmel kapcsolatos összes figyelmeztetést és a biztonságos használatra vonatkozó összes utasítást!

A következő biztonsági előírások be nem tartása miatt baleset, áramütés, tűzveszély és/vagy komoly sérülés fordulhat elő!

Őrizze meg az összes munkavédelmi figyelmeztetést és utasítást későbbi felhasználás céljából!

Az alábbi figyelmeztetések során használt „elektromos szerszám” kifejezés olyan szerszámot jelöl, melynek áramellátása hálózatról (tápkábel) vagy akkumulátorral (kábel nélkül) történik.



FIGYELEM! Általános munkavédelmi szabályok:
Munkahelyi biztonság:

- Tartsa tisztán a munkaterületét és ügyeljen a jó megvilágításra! A munkaterületén uralkodó rendetlenség balesetekhez vezethet.
- Ne dolgozzon elektromos szerszámmal robbanásveszélyes környezetben, gyulladásveszélyes folyadékok, gázok vagy folyadékok közelében. Az elektromos szerszámok használata során szikra keletkezhet, mely belobbanthatja a port és a gőzöket.
- Tartsa távol a gyermekeket attól a helytől, ahol használja az elektromos szerszámot. A figyelemelterelés miatt elveszítheti kontrollját az elektromos szerszám felett.



FIGYELEM! A szerszám biztonságos használatával kapcsolatos általános szabályok:

Elektromos biztonság:

- Az elektromos szerszám csatlakozó dugója meg kell feleljen az aljzattal. Tilos a csatlakozó dugó módosítása! Tilos hosszabbítók használata a védőföldeléses kábelrel ellátott elektromos szerszámok esetében! A csatlakozó dugók és aljzatok módosítása növeli az áramütés kockázatát!
- Kerülje a testi érintkezést a földelt felületekkel vagy tárgyakkal, mint a csövek, fűtőtestek, fűtőradiátorok vagy hűtőszekrények! A földelt részekkel való érintkezés esetén nő az áramütés kockázata!
- Ne tegye ki esőnek vagy nedves környezetnek az elektromos szerszámot! Víz behatolása esetén nő az áramütés kockázata!
- Ne erőltesse a csatlakozó kábel! Ne használja a hálózati kábelt a szerszám mozgatására, húzására vagy a csatlakozó dugó aljzatról történő kihúzására. Tartsa távol a hálózati kábelt hőforrásoktól, olajtól, éles szélektől és mozgó alkatrészekről! A sérült vagy összegabalyodott kábelek növelik az áramütés kockázatát!
- Amennyiben az elektromos szerszámot a szabadban használja, a csatlakozást a szabadban történő használatra alkalmas kültéri hosszabbítókkal kell megoldani. A szabadban történő használatra alkalmas hosszabbítók használata csökkenti az áramütés kockázatát.
- A berendezést 30mA vagy kisebb kioldó áramú védőkapcsolós (RCD) elektromos hálózatra javasolt kapcsolni csatlakoztatni.

- Amennyiben az elektromos szerszámot nedves környezetben használja, elkerülhetetlen egy feszültségvédelmi eszköz használata, mint egy hibaáram védelmi kapcsolóé (RCD). Az RCD használata csökkenti az áramütés kockázatát.



FIGYELEM! A szerszám használatának biztonságával kapcsolatos általános figyelmeztetések:

Személyi biztonság:

- Ez a berendezés nem használható csökkentett fizikai, szenzoriális vagy mentális képességű személyek (beleértve a gyermekeket is), tapasztalattal nem rendelkező személyek vagy olyan személyek által, akik nem ismerik a berendezést, kivételt képeznek azok a helyzetek, amikor a berendezés használata felügyelet alatt vagy a használati utasítások betartásával történik egy, a biztonságért felelős személy által.
- Legyen figyelmes, összpontosítson arra, amit csinál és legyen mindig annak tudatában, hogy elektromos szerszámmal dolgozik! Ne használja az elektromos szerszámot, ha fáradt, ha kábítószert, alkoholt vagy gyógyszer befolyása alatt áll! Elektromos szerszám használatánál egy pillanatra figyelmetlenség is komoly sérülések okozója lehet!
- Hordjon védőruházatot! Minden esetben viseljen védőszemüveget! Olyan védőruházat hordása mint a porvédő maszk, csúszásbiztos cipő, fülvédő vagy hallásvédő csökkenti a sérülések kockázatát!
- Kerülje el, hogy az elektromos szerszám véletlenül bekapcsoljon! A hálózati áramforrásra történő csatlakozás és/vagy az akkumulátor csatlakoztatása, valamint a szerszám felemelése vagy mozgatása előtt, győződjön meg arról, hogy az elektromos szerszám kapcsolója kikapcsolt állapotban van! Az elektromos szerszám mozgatása vagy bekapcsolt állapotban történő használata balesetet okozhat!
- Az elektromos szerszám beindítása előtt távolítsa el minden szerszámot a közelből! Az elektromos szerszám mozgó részein hagyott szerszámok sérüléseket okozhatnak!
- Ne hajtjon le mélyen! Álljon biztosan és tartsa meg az egyensúlyát! Ez az elektromos szerszám jobb ellenőrzését teszi lehetővé váratlan helyzetekben.
- Ötözzön fel megfelelően! Ne hordjon bő ruházatot vagy ékszert! Haját kösse be, ruházatát és kesztyűjét tartsa távol a mozgó alkatrészekről! A bő ruházat, az ékszer és a hosszú haj beleakadhat a mozgó alkatrészekbe.
- Amennyiben a berendezés alkalmas külső porszívó és porgyűjtő csatlakoztatására, győződjön meg arról, hogy ezek helyesen lettek csatlakoztatva és használva. A porgyűjtő használata csökkentheti a porral járó veszélyek kockázatát.
- Ne engedje, hogy az elektromos szerszám gyakori használata során szerzett jártasság hatására túlzott magabiztossá váljon és figyelmen kívül hagyja a biztonsági szabályokat. A figyelmen kívül hagyás alatt súlyos testi sérülést okozhat.



FIGYELEM! A szerszám biztonságos használatára vonatkozó általános figyelmeztetések:

Az elektromos szerszám használata és gondozása:

- Ne terhelje túl az elektromos szerszámot! Az elvégzendő

munkához szükséges teljesítmény függvényében használjon elektromos szerszámokat! A megfelelő elektromos szerszám jobb működést és biztonságos terhelést tesz lehetővé.

- b) **Tilos az elektromos szerszám használata, ha a kapcsoló nem indítja el és nem állítja meg a szerszámot!** Minden elektromos szerszám, amely nem indul el vagy nem áll meg, veszélyes és meg kell javítani!
- c) **Minden beállítás, alkatrészcsere vagy tárolás előtt húzza ki a csatlakozó dugót az elektromos szerszám hálózati áramforrásából és/vagy vegye ki az akkumulátort!** Ezek a biztonsági intézkedések csökkentik az elektromos áram véletlenszerű bekapcsolását.
- d) **A használaton kívüli elektromos szerszámot gyermekektől távol kell tartani, és nem szabad kölcsön adni olyan személyeknek, akik nem ismerik az elektromos szerszámot vagy nem olvasták el annak használati utasításait!** Az elektromos szerszám veszélyes, ha tapasztalat nélküli személy használja!
- e) **Az elektromos szerszámot karban kell tartani!** Ellenőrizni kell a mozgásban lévő alkatrészek beállítását vagy zavarát, az alkatrészek törését és egyéb tényezőket, melyek befolyásolhatják az elektromos szerszám működését! Ha rongálódást észlelünk, az elektromos szerszámot még használat előtt meg kell javítani! Számos baleset oka az elektromos szerszám nem megfelelő karbantartása.
- f) **A vágószerszámok élesek és tiszták kell legyenek!** A vágószerszámok éles alkatrészeinek karbantartása csökkenti az anyagra történő beakadás kockázatát és megkönnyíti a használatot.
- g) **Az elektromos szerszámot, a berendezést, a munkaszerszámokat, stb. jelen utasításoknak megfelelően kell használni, figyelembe véve a munka jellegét és feltételeit.** Az elektromos szerszám rendeltetésétől eltérő használata veszélyes helyzeteket okozhat.
- h) **Alacsony hőmérsékleten vagy hosszabb használaton kívüli időskor követően ajánlott az elektromos szerszám teher nélküli elindítása néhány percra a kenőanyag átviteli mechanizmusba történő helyes elosztása érdekében.**
- i) **Az elektromos szerszám tisztításához puha, nedves (nem vizes) rongyot és szappant használjon! Ne használjon benzint, oldószert vagy egyéb anyagokat, amelyek károsíthatják a berendezést!**
- j) **Az elektromos szerszámot csak azután lehet tárolni/szállítani, miután megbizonyosodtunk arról, hogy minden mozgó eleme rögzítésre és biztosításra került a rögzítésre szánt eredeti elemek segítségével.**
- k) **Az elektromos szerszámot száraz helyen kell tartani, védve a portól és a nedvességtől.**
- l) **Az elektromos szerszám szállítása az eredeti csomagolásban történhet, megvédve ezáltal a mechanikai sérülésektől.**
- m) **A markolatot és a fogófelületeket tisztán, olaj- és kenőanyagtól mentesen kell tartani. A csúszós markolatok és fogófelületek lehetetlenné teszik a szerszám biztonságos fogását és felügyeletét az esetleges váratlan szituációkban.**



FIGYELEM! A szerszám biztonságos használatára vonatkozó általános figyelmeztetések:

Javítás:

- a) **Az elektromos szerszámok garanciális és garancia utáni javítását a PROFIX Szerviz végzi, ami garantálja a javítás kiváló minőségét**

és az eredeti alkatrészek használatát.



FIGYELEM! Akkumulátoros fűrész-csavarozó, biztonságra vonatkozó figyelmeztetések -

Személyi biztonság:

- a) **A fűrész-csavarozó használata során használjon hallásvédőt!** A zajnak való kitettség hallásvészést okozhat!
- b) **Amikor olyan munkákat végez, melynek során a szerszám vagy a csavar hozzáérhetne a rejtett elektromos kábelekhez vagy saját kábeléhez, az elektromos szerszámot a fogantyú szigetelt felületénél kell fogni!** A tápkábelrel való érintkezés a feszültség egy részét a készülék fém alkatrészeinek továbbíthatja, ami áramütéshez vezethet.
- c) **Használjon megfelelő keresőszközöket a rejtett elektromos kábelek helymegjelöléséhez, vagy kérjen tájékoztatást az önkormányzati intézményektől!** A feszültség alatt lévő kábelekkel történő érintkezés tüzeseteket vagy áramütést idézhet elő! A gázvezeték sérülése robbanásveszélyes! A víz- és csatornacsövek kilyukadása anyagi károkat okozhat!
- d) **Ne munkáljon meg azbeszt tartalmú anyagokat!** Az azbeszt rákkeltő anyagnak minősül!
- e) **A munkavégzés helyét tartsa tisztán!** Az anyagkeveredés nagyon veszélyes! A fémporok könnyen meggyújthatnak és felrobbanhatnak!
- f) **Biztosítsa a megmunkált tárgyat!** Bizonyosodjon meg arról, hogy az összes rögzítő elem meg van szorítva és ellenőrizze, hogy ne legyenek nagy távolságok! A megmunkált elem rögzítő szerszámba vagy csavaros szorítóba történő rögzítése biztonságosabb, mint kézzel tartása.
- g) **Használat közben az elektromos szerszámot mindkét kézzel a fő és kiegészítő fogantyúnál, stabil pozícióban kell tartani!** Az elektromos szerszám használata biztonságosabb, ha mindkét kézzel fogja azt!
- h) **Azonnal állítsa meg az elektromos szerszámot, ha a használt szerszám leblokkol. Készüljön fel az erős rezgésekre, melyek visszaügrést okozhatnak!** A használt szerszám leblokkol: ha az elektromos szerszám túlterhelt vagy amikor az elembe hajol.
- i) **Az elektromos szerszám padra helyezése előtt várja meg míg az megáll!** A használt szerszám leállhat, ami az afeletti ellenőrzés elvesztéséhez vezethet!

Hosszú fűrészárak használata során betartandó biztonsági útmutatók:

- a) **Sohase használja a fűrőt a fűrészár maximális fordulatszámánál nagyobb sebességen. Mindig alacsony fordulatszámon és a megmunkált anyag megérintése után kezdje meg a fűrészt. Ha a fűrészár magasabb fordulatszámon nem érintkezik a munkadarabbal, hanem szabadon forog, akkor elhajolhat és személyi sérülést okozhat.**
- b) **Fűrés során nyomja rá a fűrészárát a megmunkált anyagra a fűrészárral egy vonalban, nem szabad túl erősen rányomni. A fűrészár elhajolhat és megsérülhet, vagy a szerszám feletti uralom elvesztését és személyi sérülést okozhat.**



FIGYELEM! Az akkumulátor és töltő biztonságos használata:

Akkumulátor használata:

- a) **Csak a gyártó által megjelölt specifikációknak megfelelő akkumulátorokat használjon!** Más akkumulátorok használata esetén repedés, szétesés, testi sérülés vagy tüzeset történhet!
- b) **FIGYELEM!** Amennyiben az akkumulátor megsérül vagy nem megfelelően kerül használatra, robbanásveszélyes gáz szivárgása követhet! Az akkumulátort távol kell tartani a tűzforrásoktól és megfelelő szellőztetést kell biztosítani

a töltési időre! Ne hagyja az akkumulátort hosszú ideig magas hőfokon (napfényes helyen, a radiátorok közelében és olyan helyeken, ahol a hőmérséklet meghaladja a 40°C-ot)!

- c) **Az akkumulátor töltése 15-25°C közötti hőmérsékletű környezetben kell történi!**
- d) **Az akkumulátort csak az elektromos szerszámhoz csatolt töltővel szabad tölteni!** Más akkumulátorok használata esetén repedés, szétesés, testi sérülés vagy tüzeset történhet!
- e) **Ne tegye ki víznek és nedvességnek az akkumulátort!**
- f) **Ha több mint egy akkumulátort szándékozik tölteni, az egymást követő töltések között 30 perces szünetet kell tartania!**
- g) **Semmilyen esetben se nyissa fel az akkumulátort!**
- h) **Extrém helyzetekben az akkumulátorból elektrolit folyás következhet be! Ilyen esetben törölje le a folyadékot az akkumulátorról! Kerülje az elektrolit bőrrel történő érintkezését!** Ha az elektrolit mégis bőrrel érintkezett, mossa meg figyelmesen ezt a bőrrészt, finom sával (citromlé, ecet) semlegítsen! Szövődények esetén forduljon orvoshoz!

Amennyiben az elektrolit szemmel érintkezik, fiziológiás sóoldattal vagy tiszta vízzel körülbelül 10 percen keresztül mossa meg szemét!

NETEGYEN RÁ KÖTSZERT! Forduljon orvoshoz!

- i) **Kerülje az akkumulátor pólusainak bármilyen fém tárggyal történő lekötését (ne tegye zacskóba, zsebbe más fém elemmel az akkumulátort) – tüzesetet okozhat!**
- j) **Ne dobja tűzbe az akkumulátort!**
- k) **Ne töltsze az elromlott akkumulátort!**



Az akkumulátorok több töltésre lettek számvá, lítiumot tartalmaznak, amely környezetveszélyes.

A használati idő után az akkumulátort a környezetvédelmi törvények szerint kell használni!

Ennek megfelelően az akkumulátort teljesen le kell meríteni, ki kell venni az elektromos berendezésből és le kell adni az akkumulátor felhasznált pontnál vagy abban az üzletben, ahonnan vásárolták!

A töltő használata:

- a) **Csak a gyártó által ajánlott akkumulátort használjon!**
- b) **A leszállított töltőt csak azon akkumulátor töltésére szabad használni, melyet azzal együtt kapott!**
Más akkumulátor töltése esetén az megrepedhet, szétesethet, sérülést okozhat vagy tüzeset idézhet elő!
- c) **Ne szerelje szét a töltőt!**
- d) **A töltőt csak helyiségekben használja! Ne tegye ki víznek és nedvességnek az akkumulátort!**
- e) **Csak 15°-25°C-os hőmérséklet között töltsen!**
- f) **Ne vezessen be semmiféle fémtárgyat a töltőbe!**

A FÚRÓ-CSAVARÓZÓ FELÉPÍTÉSE ÉS RENDELTEZÉSE:

Az akkumulátoros fúró-csavarozó rendeltetése a dübelek be- és kicsavarozása, olyan anyagok fúrása, mint az acél, fa, műanyag, stb.

A fúró-csavarozó csak amatőr háztartási felhasználás célra használható. **Tilos a szerszámot olyan munkák végzésére használni, melyek professzionális készüléket igényelnek!**

A készülék minden olyan használata, amely eltér a fent említett rendeltetéstől, tilos és a garancia elvesztéséhez vezet, a gyártó nem

felelős az ezekből eredő károkért.

A készülék összes, a felhasználó által végzett módosítása mentesíti a gyártót a felelősség alól a felhasználónak és a környezetnek okozott károkért.

Egyes kockázati tényezők még abban az esetben sem küszöbölhetőek ki teljesen, ha a készüléket a rendeltetésnek megfelelően használták. A felépítés és tervezés miatt a következő kockázatok jelenhetnek meg:

- a mozgásban lévő fúrófej kézzel vagy ruhazzal történő megérintése

- a fúrófej cseréje közbeni égések (Működésben közben a fúrófej nagyon felmelegszik. Az égések elkerülése érdekében a fúrófej cseréje közben használjon védőkesztyűt!)

- a megmunkált elem vagy annak részeinek visszaurgrása

- a fúrófej elgömbülése/törése.

■ Kiegészítés:

- Akkumulátoros fúró-csavarozó - 1 db.
- Akkumulátor - 1 db.
- Töltő - 1 db.
- Garanciaalap - 1 db.
- Használati utasítások - 1 db.

■ A gép elemei (lásd: 2. oldal):

A szerszám elemeinek számozását a jelen használati utasítások 2. oldalán szereplő ábra mutatja be:

- A. rajz:** 1. Gyorstokmány
2. Ívbeállító kar
3. Üzem mód beállító forgatógomb
4. Sebességkapcsoló
5. Forgásirány kapcsoló
6. Akkumulátor kapacitás jelző
7. Fogantyú
8. Indítógomb
9. Segédvilágítás
- B. rajz:** 10. Akkumulátor
11. Akkumulátor reteszelő gombjait
- C. rajz:** 12. Töltő
- F. rajz:** 13. Teljesítmény és üzemmód beállító jelölő
- G. rajz:** 14. Bal menetes rögzítő csavar
15. Tengely

MŰSZAKI ADATOK:

MODELL	VZV12
Áramfeszültség	DC 12 V
Forgási sebesség teher nélkül	0-350/0-1300 per ⁻¹
Maximális forgási pillanat	25 Nm
Gyorstokmány befogási tartomány	ø 0,8-10 mm
Súly (akkumulátorral)	1,02 kg
Hangnyomás szint (LpA)	76,3 dB(A)
Hangerő szint (LwA)	87,3 dB(A)
KpA, KwA bizonytalanság	3 dB(A)
EN 62841-2-1 szabvány szerinti vibrációs szint (K bizonytalanság=1,5 m/s ²)	a _{h0} = 1,44 m/s ²
Az akkumulátor típusa	Li-ion
Üzemi feszültség	12V

Akkumulorteljesítmény	1300mAh
Töltő	
Bementi feszültség	100-240 V
Hálózati frekvencia	50/60 Hz
Kimeneti áram (DC)	22V/ 0,5A
Töltési idő	3 h

Az említett vibrációs szint reprezentatív az elektromos készülék használata szempontjából. Amennyiben az elektromos készülék más célból vagy egyéb munkaeszközzel kerül használatra, illetve ha karbantartása nem megfelelő, a vibrációs szint eltérhet a megjelöltől. A fent említett okok a vibrációs expozíció szintje növekedéséhez vezethetnek a működés teljes ideje alatt.

Kiegészítő védelmi eszközöket kell használnia, melyek célja a vibrációs expozíció kezelőre gyakorolt hatásaitól való védelem, mint pl.: Elektromos készülék és munkaeszközök karbantartása, a kezek megfelelő hőmérsékletének biztosítása, a munkatevékenységek sorrendjének megállapítása.

A megadott rezgésszint és a megadott zajkibocsátás mérése szabványos vizsgálati módszerrel történt és felhasználhatók a szerszámok összehasonlítására.

A megadott rezgésszint és a megadott zajkibocsátás felhasználható a kezdeti expozíció megállapítására.

Figyelmeztetések:

Az elektromos szerszám tényleges használata során a rezgésszint és a zajkibocsátás eltérhet a megadott értékektől, attól függően, hogyan használja a szerszámot, különösen függ a megmunkált anyag típusától.

A kezelőszemély biztonsága érdekében meg kell határozni a biztonsági intézkedéseket, melyek a valós használat alatti expozíció megbecsülésén alapszik (figyelembe véve a művelet összes folyamatát, amikor a szerszám ki van kapcsolva, és amikor üresjáraton van, a kioldási idő kivételével).

HASZNÁLATRA TÖRTÉNŐ FELKÉSZÜLÉS:

■ Akkumulátor töltése

A fúró-csavarozógép részben feltöltött akkumulátor került leszállításra. Használat előtt teljesen fel kell töltenie az akkumulátort. Ajánljuk, hogy az első töltés minimum 3 órán legyen.

1. Nyomja meg az akkumulátor reteszelő gombjait (11) és vegye ki az akkumulátort (10) a fúró-csavarozóból (lásd a B rajzt).
2. Csatlakoztassa az akkumulátort (10) a töltőre (12) (lásd a C rajzt).
3. Csatlakoztassa a töltő dugaszát 100-240V, 50/60Hz hálózati konnektorba.

■ Akku töltésgeljelző

A töltő világító zöld LED diódája arról tájékoztat, hogy a töltő csatlakoztatva van a tápforrásra. Az akkumulátor csatlakoztatása után kigyullad a piros dióda, mely arról tájékoztat, hogy a töltés folyamatban van.

Amikor az akkumulátor teljesen feltöltődik, elalszik a piros dióda és kigyullad a zöld dióda.

A töltés során automatikusan csökken a töltőáram. Kb. 3 óra elteltével a töltőáram minimális szintre csökken (fenntartó töltés), ami megelőzi a túltöltés és az akkumulátor sérülésének a lehetőségét.

Amikor a töltési folyamat befejeződött, húzza ki a töltőt a hálózatból és vegye ki az akkumulátort!

A lítium-ion akkumulátor bármikor feltölthető anélkül, hogy érintené

bármiféleképpen is annak élettartamát. A töltési folyamat megszakítása nem vezet az akkumulátorcellák sérüléséhez.

HASZNÁLTASORÁN:

■ Be/kikapcsolás

Az indítógomb (8) a forgási sebesség folyamatos szabályozásával rendelkezik.

Az elektromos szerszám bekapcsolásához nyomja meg az indítógombot. A forgási sebesség ahhoz mérten nő, hogy mennyire erősen nyomja a gombot. Az elektromos szerszám kikapcsolásához engedje el az indítógombot.

■ Akkumulátor kapacitás jelző

Az akkumulátor kapacitás jelző (6) az akkumulátor töltési állapotát jelzi a három színes LED dióda segítségével.

Az összes LED dióda világít:

Az akkumulátor teljesen fel van töltve.

A sárga és a piros LED dióda világít:

Az akkumulátor részben van feltöltve.

Csak a piros dióda világít:

Lemerült az akkumulátor, fel kell tölteni.

■ Forgásirány beállítása (lásd a E rajzt)

A fúró-csavarozógép lehetőséget nyújt arra, hogy a forgási irányt az órajárással megegyező (jobbra forgás) vagy ellenkező (balra forgás) irányba állítsuk be:

- a forgási sebesség jobbra történő beállításához a kapcsoló balra/jobbra forgás tolokáját (5) fordítsa balra (lásd a készülék hátoldalán).

- a forgási sebesség balra történő beállításához a kapcsoló balra/jobbra forgás tolokáját (5) fordítsa jobbra (lásd a készülék hátoldalán).

Amikor a forgásirány kapcsoló közepén helyezkedik el, az indítógomb le van blokkolva.

Fúrászhöz és csavarozáshoz állítsa jobbra a forgási irányt. A fúrófej behúzásához, a fúrófej blokkoló kivételéhez és a csavarok kicsavarozásához állítsa balra a forgási irányt.

■ Forgási fordulatszám beállítása (lásd a F rajzt)

A fúró-csavarozógép egy olyan gyűrűvel (2) rendelkezik, amellyel a csavarok becsavarozásakor be lehet állítani a forgás fordulatszámát. A gyűrűn 18 pozíció található, 1-től 18-ig.

A gyűrű kiválasztott pozícióba (od 1-18) történő beállítása az ív feszítőerejét állítja meg a fordulatszám által megállapított mértékben. Ez lehetővé teszi a csavar túl mélyen történő becsavarozása vagy sérülése elleni biztosítást. Különböző típusú csavarokhoz és anyagokhoz a forgási fordulatszám különböző értékeket kell használni.

Mindig kis fordulatszámmal kell kezdeni és fokozatosan emelni a fordulatszámot, amíg eléri a kívánt eredményt.

Fém, fa és műanyag fúrásához úgy állítsa be a gyűrűt (2), hogy a jelző (13) összhangban legyen a 18. pozícióval.

■ Üzem mód kiválasztása



FIGYELEM: Az üzemmódot kizárólag kikapcsolt elektromos szerszám mellett szabad módosítani! Ellenkező esetben megsérülhet az elektromos szerszám.

Az elektromos szerszám üzemmódja az üzemmód kapcsoló tekerőgombbal (3) módosítható.

Az üzemmód módosításához állítsa az üzemmód kapcsolót a kívánt állásba, amit egy jellegzetes kattánás kísér.

Fúrás:

Állítsa a tekerógombot (3) a  jelre.

Csavarozás:

Állítsa a tekerógombot (3) a  jelre.

■ **Sebességváltás**

Használja a sebességkapcsolót (4) a 2 forgási sebesség valamelyikének kiválasztásához.

I. sebesség: Fúrásnál használatos.

II. sebesség: A csavarok be- és kicsavarozásánál használatos.

FIGYELEM! Ne változtassa a sebességkapcsoló (4) pozícióját a szerszám működése közben! Ez megsértheti a szerszám emelőkarját! A szerszám még a sebességkapcsoló beállításának változtatása előtt meg kell álljon!

Amennyiben a sebességkapcsoló nem helyezhető a maximális értékre, mozgassa meg egy kicsit a forgási tengelyt!

■ **A fogantyú cseréje** (lásd a **Grajz**)

1. Vegye ki az akkumulátort (10) a fúró-csavarozógépből.
2. Nyissa fel teljesen a fogantyút (1).
3. A PH 2-es (2. sz. Philips) csavarhúzó segítségével, az órajárással megegyező irányba csavarozza ki a tokmány rögzítő csavarjait (14). **(FIGYELEM! Balmenet).** A beragadt csavart a fej enyhé megütésével is kioldhatja.
4. Tartsa meg a fogantyú gyűrűjét és az órajárással ellentétes irányba csavarozza ki a fúró-csavarozógép tokmányát (a tokmány felől nézve)! **FIGYELEM!** A blokkolt gyorstokmány (1) a hatszögű kulcs rövidebb felének tokmányba történő behelyezésével és hosszabbik felének könnyű ütésével felszabadítható. (lásd: **D. rajz**)
5. A tokmány beszereléséhez az órajárással megegyező irányba (a tokmány felől nézve) kell azt a tengelybe becsavaroznia és a rögzítő csavarral rögzítenie, valamint a PH 2-es (2. sz. Philips) csavarhúzóval az órajárással ellentétes irányba becsavaroznia. Ahhoz, hogy a tokmány ne forogjon a rögzítőcsavar becsavarozásakor, az gyűrűnél tartsa a tokmányt.

■ **Segédvilágítás**

- A fúró-csavarozógép a fúrás/csavarozás helyének segédvilágításával (9) van ellátva, amely az indítógomb (8) megnyomásakor kapcsol be.

■ **Munkaeszközök cseréje**

FIGYELEM! Kapcsolja le az akkumulátort a fúró-csavarozógépről vagy állítsa a középső pozícióba a forgásirány kapcsolót (5) ahhoz, hogy megvédje önmagát a szerszám véletlenszerű bekapcsolásától, amely megsebezheti a kezelőt.

Kioldott kapcsológombnál (8) leblokkol a fúróorsó. Is lehetősé teszi a munkaszerszám gyors, kényelmes és könnyű cseréjét a fúrótokmányban. A fúró (vagy fej) tokmányból való kivételéhez forgassa el balra a tokmány gyűrűjét a tokmány nyílásának a növeléséhez. A fúró (vagy fej) tokmányba szereléséhez forgassa el a tokmány gyűrűjét jobbra egészen a fúró beszorulásáig.

A fúrot (vagy más típusú fejet) ellenállásig kell a tokmányba helyezni.

■ **Fúrás**

1. Amikor mély nyílásokat végez, fokozatosan fúrjon kisebb mélységéig, majd húzza ki a fúrófejet, hogy a por távozhasson a nyílásból.
2. Nagyobb átmérőjű nyílás fúrásánál ajánlatos egy szűkebb nyílással kezdeni, majd nagyobbítsa azt a kívánt méretre. Ezáltal elkerüli a fúrógép felmelegedését.

3. Amennyiben a fúrófej fúrás közben leáll, kapcsolja ki a fúrógépet, hogy ezáltal elkerülje annak sérülését. A forgásirány megváltoztatásával húzza ki a fúrófejet a nyílásból.

4. Tartsa a csavarozógépet az elvégzett nyílás tengelyében. A megmunkált anyag felületéhez képest a fúrófej derékszögben kell rögzíteni. Ha nem tartja a derékszöget használat közben, a fúrófej nyílásban történő leállítását vagy törését idézheti elő, extrém esetben pedig a kezelő sérülését.

A tengely forgási sebességének beállítása a kapcsoló megfelelő erősségű megnyomásával történik.

■ **Debül becsavarozása**

Ajánlott, hogy először keskenyebb, a dübel hosszúságánál kicsit hosszabb nyílást végezzen. Amennyiben a debül az anyag szélének közelében helyezkedik el, egy ilyen nyílás előkészítése megszünteti az anyagrészt nem kívánt kiesésének kockázatát.

Amennyiben a debül becsavarozásakor probléma merülne fel, húzza ki és tágtássa egy kicsit a nyílást.

Amennyiben a csavarozás továbbra is nehezen menne (ami megtörténhet a keményebb fajok esetében), használjon kenőanyagot (pl. folyékony szappant). Nyomja megfelelően a csavarozógépet, hogy elkerülje a befogó csavarhúzófejjel együtt történő forgását. Azokat a fejeket használja, amelyek pontosan illeszkednek a csavarhúzófejjel. A csavarhúzó fogójának sérülése a be- és kicsavarozás el lehetetlenítéséhez vezethet.

TÁROLÁS ÉS KARBANTARTÁS:

A szerszám gyakorlatilag nem igényel különleges karbantartást. A szerszámot gyermekektől távol, tisztán kell tartani, óvni a nedvességtől és a portól! A tárolási körülmények ki kell küszöböljék a mechanikus rongálódások vagy a különböző időjárási viszonyok káros hatásainak lehetőségét!

FIGYELEM! Minden tisztítási és karbantartási művelet végzése előtt vegye ki az akkumulátort a berendezésből és húzza ki a csatlakozó dugót az aljzatból!

A töltőt száraz ronggyal tisztítsa. Száraz kefével vagy ronggyal időközönként tisztítsa meg a fúró-csavarozógép szellőzőnyílásait is. Időközönként szerelje le a fúró befogóját és távolítsa el a port és a koszt.

A gépházat tiszta és nedves vászonnal, kis mennyiségű szappannal kell tisztítani. Ne használjon semmilyen tisztító- vagy oldószert, mert ezek megrongálhatják a gép műanyag alkatrészeit. Vigyázzon arra, hogy ne kerüljön víz a készülék belsejébe. Tisztítás után várja meg amíg a fúró-csavarozógép megszárad.

SZÁLLÍTÁS:

A készüléket hordládában kell szállítani és tárolni, amely megóvja a nedvességtől, a portól és a kisméretű tárgyaktól. Különösen a szellőzőnyílásokat kell védeni. A gépházba bejutó kis elemek rongálhatják a motort.

KÖRNYEZETVÉDELME:



FIGYELEM! Ez a jel azt jelöli, hogy a használt készüléket tilos egyéb hulladékkal egy helyen elhelyezni (pénzbüntetés terhe mellett). Elektromos és elektronikus gépek veszélyes alkotórészei negatívan befolyásolják a környezetet és az emberek egészségét.

Minden háztartásnak hozzá kell járulnia a használt készülékek visszanyeréséhez és újrahasznosításához. Úgy Lengyelországban, mint Európában megszervezik vagy már létezik a használt készülékek gyűjtési rendszere, melynek keretében az adott készülék minden értékesítési

helyén kötelesek átvenni a használt készüléket. Ezenkívül léteznek ilyen típusú készülékek gyűjtő központjai is.

PIKTOGRAMOK:

A névleges táblázatban szereplő rajzok magyarázata:



– «Bekapcsolás és működtetés előtt olvassa el a használati utasításokat!»



– «Védőszemüveg használata kötelező!»



– «Védőkesztyű használata kötelező!»



– «Hallásvédő használata kötelező!»



– «Porvédő maszk használata kötelező!»



– «Óvni az akkumulátort a magas hőmérséklettől, pl. az állandó napsugárzástól.»



– «Tilos az akkumulátort tűzbe dobni.»



– «Tilos az akkumulátort vízbe dobni.»

GYÁRTÓ:

PROFIX Sp. z o.o.

ul. Marywilska 34,

03-228 Warszawa, Lengyelország

Ez a gép megfelel a nemzeti és európai szabályoknak, valamint a biztonsági előírásoknak.

Minden javítást szakképzett személy végezhet, kizárólag eredeti cserealkatrészt használva!

TÍPIKUS MEGHIBÁSODÁSOK ÉS AZOK ELTÁVOLÍTÁSA:

MEGHIBÁSODÁS	LEHETSÉGES OK	HIBA ELTÁVOLÍTÁSA
A fűró-csavarozó nem működik.	Nincs tápellátás, sérült motor vagy kapcsológomb.	Ellenőrizze az akkumulátor töltöttségét, szükség esetén tölteni vagy újra cserélni. Ha továbbra sem működik az elektromos szerszám, küldje be a garanciakártyán megadott című szervizbe.
Zavar a motor működésében.	Lemerült elem.	Töltse fel az akkumulátort.
	Elkopott szénkefék.	Cseréltesse ki a szénkeféket a szervizben.



A PROFIX cég politikája az, hogy folyamatosan tökéletesítse termékeit, ezért fenntartja magának azt a jogot, hogy a termék specifikációit előzetes tájékoztatás nélkül módosítsa! A használati utasításokban megjelölt ábrák csak példák, ezek kicsit eltérhetnek a megvásárolt eszköz valódi arculatától!

Az alábbi útmutatót szerzői jogok védik. Annak másolása / sokszorosítása a Profix Sp. z o.o. cég írásos beleegyezése nélkül tilos.



PRIEŠ RADEKANT DARBĄ SUSIPAŽINKITE SU INSTRUKCIJA.

Išsaugokite instrukciją, nes gali būti reikalinga vėliau.



ĮSPĖJIMAS! Prašome perskaityti visus įspėjimus dėl saugaus naudojimo pažymėtus simboliais ⚠ bei visas nuorodas dėl saugaus naudojimo.

Žemiau pateikiamų įspėjimų dėl saugos bei saugos nuorodų nesilaikymas gali būti elektros smūgio, gaisro ir/arba sunkių kūno sužalojimų priežastimi.

Išsaugokite visus įspėjimus ir visus saugos nuorodas, kad vėliau būtų galima jais pasinaudoti.

Žemiau pateiktuose įspėjimuose sąvoka „elektros prietaisas“ apibūdina elektros prietaisą maitinamą elektros energija iš elektros tinklo (maitinimo laidas) arba elektros prietaisą maitinamą akumuliatoriumi (belaidis).



ĮSPĖJIMAS! Bendri įspėjimai dėl saugaus įrankio naudojimo.

Sauga darbo vietoje:

- Darbo vietoje turi būti švaresnis, tvarkingas bei geras apšvietimas. *Netvarkinga bei netinkamas darbo vietos apšvietimas gali būti nelaimingų atsitikimų priežastimi.*
- Nenaudoti elektros prietaiso sprogioje aplinkoje, kurioje yra degūs skysčiai, degios dujos arba dulkės. *Elektros prietaiso darbo metu susidaro elektros kibirkštis, todėl gali užsidegti esantis aplinkoje garai.*
- Darbo vietoje negali būti vaikų bei pašaliniai. *Dėmesio nukreipimas gali būti elektros prietaiso valdymo praradimo priežastimi.*



ĮSPĖJIMAS! Bendri įspėjimai dėl saugaus įrankio naudojimo.

Elektros sauga:

- Elektros prietaisų kištukai turi atitikti elektros lizdo tipui. Jokių būdu negalima keisti kištuko. Jeigu elektros prietaisas turi įžeminimą, negalima naudoti ilgutuvo. *Originalių kištukų bei lizdų naudojimas sumažina elektros smūgio riziką.*
- Venkite kūno kontakto su žemintais paviršiais, tokiais kaip vamzdžiai, šildytuvai, centrinio šildymo radiatoriai bei šaldytuvais. *Kontaktas su žemintais paviršiais didina elektros smūgio pavojų.*
- Saugokite prietaisą nuo lietaus ir drėgmės. *Jeigu vanduo patenka į elektros prietaisą, padidėja elektros smūgio rizika.*
- Nenaudokite laidų ne pagal paskirtį. Neneškite įrenginio paėmę už laido, netraukite už jo norėdami išjungti kištuką iš elektros lizdo. Laidą klokite taip, kad jo neveiktų karštis, jis neišsitemptų alyva ir jo nepažeistų aštrios detalės ar judančios prietaiso dalys. *Pažeistas laidas gali tapti elektros smūgio priežastimi.*
- Jeigu elektros prietaisas yra naudojamas lauke, laido prailginimui naudokite tik specialiai tam skirtus prailgintuvus. *Prailgintuvų skirtų darbui lauke naudojimas sumažina elektros smūgio riziką.*
- Įrankį rekomenduojama jungti į elektros maitinimo tinklą, turintį likutinės srovės įrenginį (RCD), kurio išjungimo srovė yra 30 mA arba mažesnė.
- Jeigu negalima išvengti elektros prietaiso naudojimo drėgnoje aplinkoje, naudokite RCD įrenginį. *RCD įrenginio naudojimas sumažina elektros smūgio riziką.*



ĮSPĖJIMAS! Bendri įspėjimai dėl saugaus įrankio naudojimo.

Žmonių sauga:

- Prietaisu negali naudotis asmenys (tame tarpe vaikai) turintis fizinius, jutimo arba psichinius negalavimus, taip pat asmenys neturintis darbo patirties arba nesuspajinę su prietaisu, nebent toks darbas vyksta stebint specialistui arba pagal prietaiso naudojimo instrukciją, kurį buvo perduota asmeniui atsakingu už saugą.
- Būkite atidūs, sutelkite dėmesį į tai, ką Jūs darote ir, dirbdami su elektros prietaisu, vadovaukitės sveiku protu. Nedirbkite su prietaisu, jei esate pavargę arba vartojote narkotikus, alkoholį ar medikamentus. *Akimirkšnio neatidumas naudojant prietaisą gali tapti rimtų sužalojimų priežastimi.*
- Dėvėkite tinkamą aprangą. Nešiokite apsauginius akinius. *Apsauginės aprangos, tokios kaip dulkių kaukė, neslystantis apsauginiai batai, šalmai, asinės, naudojimas sumažina sužalojimų grėsmę.*
- Saugokitės, kad neįjungtumėte prietaiso atsitiktinai. Prieš įjungiant kištuką į elektros lizdą ir/arba prieš akumuliatoriaus įjungimą bei prieš paėmimą arba pernešant prietaisą įsitikinkite, kad prietaisas yra išjungtas. *Prietaiso pernešimas su pirštu ant jungiklio arba prietaiso įjungimas į maitinimo tinklą gali tapti nelaimingo atsitikimo priežastimi.*
- Prieš įjungdami prietaisą pašalinkite raktus. *Prietaiso besisukančioje dalyje esantis įrankis ar raktas gali tapti sužalojimų priežastimi.*
- Nepasilenkite pernelyg į priekį. Dirbdami atsisotokite patikimai ir visada išlaikykite pusiausvyrą. *Patikima stovėseną ir tinkamą kūno laikyseną leis geriau kontroliuoti prietaisą netikėtose situacijose.*
- Dėvėkite tinkamą aprangą. Nedėvėkite plačių drabužių ir papuošalų. Saugokitės plaukus, drabužių ir pirštines nuo besisukančių prietaiso dalių. *Laisvus drabužius, papuošalus bei ilgus plaukus gali įtraukti besisukančios prietaiso dalys.*
- Jeigu įrenginiai yra pritaikyti prijungimui prie dulkių nusiurbimo ir dulkių surinkėjo, įsitikinkite, kad šie įrenginiai tinkamai prijungti ir panaudoti pagal paskirtį. *Dulkių surinkėjų panaudojimas sumažina dulkių poveikio pasekmes.*
- Elektros įrankių naudojimo įgūdžiai, igyti dažno jų naudojimo metu, negali per daug padidinti Jūsų pasitikėjimo savimi ir leisti nesilaikyti saugos taisyklių. *Neatsargiai naudojantis elektros įrankiais, galima rimtai susižeisti per kelias sekundes.*



ĮSPĖJIMAS! Bendri įspėjimai dėl saugaus įrankio naudojimo.

Rūpestingai elektros prietaisų priežiūra ir naudojimas

- Neperkraukite prietaiso. Naudojamo prietaiso galingumas turi atitikti atliekamam darbui. *Tinkamai parinktas elektros prietaisas leis atlikti darbą gerai ir saugiai.*
- Nenaudokite elektros prietaiso su sugedusiu jungikliu. *Elektros prietaisas, kurio nebeegalima įjungti ar išjungti, yra pavojingas ir jį reikia remontuoti.*
- Prieš reguliuodami prietaisą, keisdami darbo įrankius arba prieš sandėliavimą ištraukite kištuką iš elektros lizdo ir/arba atjunkite akumuliatorių. *Ši saugumo priemonė apsaugos jus nuo netikėto prietaiso įsijungimo.*

- d) **Nenaudojamą prietaisą sandėliuokite vaikams ir nemokantiems juo naudotis arba nesusipažinusiems su instrukcija asmenims neprieinamoje vietoje.** *Elektriniai įrankiai yra pavojingi, kai juos naudoja nepatyrę asmenys.*
- e) **Rūpestingai prižiūrėkite prietaisą.** Patikrinkite, ar besisukančios prietaiso dalys tinkamai veikia ir niekur nekliūva, ar nėra sulūžusių ar šiaip pažeistų dalių, kurios įtakotų elektros prietaiso veikimą. Jeigu yra gedimai suremontuokite prietaisą. *Daugelio nelaimingų atsitikimų priežastis yra blogai prižiūrimi elektros prietaisai.*
- f) **Pjovimo įrankiai turi būti aštrūs ir švarūs.** *Rūpestingai prižiūrėti elektros prietaisai su aštriais pjovimo įrankiais yra lengviau valdomi ir juos geriau kontroliuoti.*
- g) **Elektros prietaisą, papildomus įrankius, darbo įrankius ir t.t. naudokite tik pagal instrukciją, turėdami omeny darbo sąlygas bei atliekamo darbo pobūdį.** *Elektros prietaiso naudojimas ne pagal paskirtį gali sukelti pavojingas situacijas.*
- h) **Jeigu prietaisas nebuvo naudojamas ilgesnį laiką arba yra naudojamas žemos temperatūros sąlygose, įjunkite jį kelioms minutėms be apkrovos tam, kad tepalas tinkamai pasiskirstytų pavaros mechanizme.**
- i) **Elektros prietaisus valykite minkštu, drėgnu (ne šlapiu) skuduru ir muilu.** *Naudokite benzino, tirpiklių bei kitų priemonių galinčių pažeisti prietaisą.*
- j) **Elektros prietaisą laikykite/transportuokite tik po to, kai įsitikinsite, kad jo visos besisukančios dalys yra užblokuotos ir saugomos originaliomis, specialiai tam skirtomis detalėmis.**
- k) **Elektros prietaisą laikykite sausoje, apsaugotoje nuo dulkių bei drėgmės vietoje.**
- l) **Elektros prietaisą transportuokite originalioje pakuotėje, saugančioje nuo mechaninių pažeidimų.**
- m) **Rankenos ir kiti įrankio laikymo paviršiai turi būti švarūs, nealiejuoti ir netepaluoti.** *Jeigu rankenos ir kiti įrankio laikymo paviršiai yra slidūs, netikėtose situacijose negalėsite įrankio saugiai laikyti ir valdyti.*



ĮSPĖJIMAS! Bendri įspėjimai dėl saugaus įrankio naudojimo.

Remontas:

- a) **Garantinį ir pogarantinį elektros įrankių remontą atlieka PROFIX servisas, todėl garantuojama aukščiausia remonto darbų kokybė bei originalios atsarginės dalys.**



DĖMESIO! Akumuliatorinis gręžtuvas-suktuvas, saugaus darbo nuorodos.

Žmonių sauga:

- a) **Darbo metu naudokite klausos apsaugos priemones.** *Ilgalaikis darbas triukšme gali sukelti klausos praradimą.*
- b) **Darbo metu, kai yra pavojus užkliudyti elektros laidus arba paties prietaiso laidą, elektros prietaisą laikykite už izoliuotus paviršius.** *Jeigu yra kontaktas su elektros laidais, tai visos metalinės prietaiso dalys taip pat yra jo įtampa, o tai gali sukelti elektros smūgį.*
- c) **Elektros laidų lokalizavimui naudokite tinkamus lokalizavi-mo prietaisus arba kreipkitės į pastato administraciją.** *Kontaktas su elektros laidais gali būti gaisro bri elektros smūgio priežastimi. Dujų vamzdžio pažeidimas gali sukelti sprogimą. Vandentiekio vamzdžių pažeidimas gali sugadinti aplinkoje esančius daiktus.*
- d) **Draudžiama dirbti su medžiagomis, kurių sudėtyje yra asbestas.** *Asbestas gali būti navikinių susirgimų priežastimi.*
- e) **Darbo vietoje turi būti švaru.** *Ypač pavojingi yra medžiagų mišiniai.*

Lengvos metalo dulksės gali uždegti arba sprogti.

- f) **Būtina patikimai pritvirtinti apdorojamą daiktą.** *Įsitinkinkite, kad visi tvirtinimo gnybtai yra užvertėti bei patikrinkite, kad jie nebūtų pernelyg laisvi. Apdoramo daikto pritvirtinimas tvirtinimo mechanizmu arba spaustuvoje didina darbo saugumą.*
- g) **Elektros prietaisas darbo metu būtina tvirtai laikyti bei užtikrinti stabilią darbo poziciją.** *Varžtų užsikimo arba atsukimo metu gali atsirasti momentai, kai smūgiai yra labai stiprus.*
- h) **Jeigu naudojamas įrankis įstrigo, nedelsiant ištraukite elektros prietaiso kištuką iš elektros lizdo.** *Būkite pasirošę įrankio vibravimui, kuriuo metu gali būti atmeta apdorojama medžiaga. Naudojamas įrankis gali įstrigti, jeigu: elektros prietaisas bus perkrautas arba išsikreivins apdorojamoje medžiagoje.*
- i) **Prieš padedant elektros prietaisą palaukite kol jis visiškai sustos.** *Darbo įrankis gali užstrigti ir tokiu būdu privesti prie kontrolės praradimo.*
- j) **Elektros prietaisą naudokite tik su specialiai jų maitinimui skirtais akumuliatoriais.** *Kito akumuliatoriaus naudojimas gali būti sužalojimų arba gaisro priežastimi.*

Ilgų grąžtų saugaus naudojimo instrukcija:

- a) **Niekuomet nedirbkite maksimalų grąžto sukimosi greitį viršijančiu greičiu.** *Visuomet gręžti pradėkite mažu greičiu, grąžtui palietus apdirbamą objektą. Naudojant didesnį greitį, apdirbamo objekto nelečiantis grąžtas gali sulinkti ir sukelti kūno sužalojimus.*
- b) **Gręždami tiesia linija spauskite grąžtą prie apdirbamo objekto; nespauskite per stipriai.** *Grąžtai gali sulinkti ir sukelti kūno sužalojimus. Taip pat galite nustoti grąžtą valdyti, kas taip pat gali sukelti kūno sužalojimus.*



ĮSPĖJIMAS! Saugus akumuliatorių bei įkroviklių naudojimas.

Akumuliatorių naudojimas:

- a) **Naudokite akumuliatorių atitinkančius gamintoju nurodytus reikalavimus.** *Akumuliatoriaus neatitinkantis reikalavimus gali skilti, tai gresia kūno sužalojimais bei gaisru.*
- b) **DĖMESIO: Jeigu gedo netinkamus parametrus turintis akumuliatorius, gali susidaryti sprogamosios dujos.** *Akumuliatorius laikykite atokiau nuo ugnies šaltinių bei užtikrinkite tinkamą vėdinimą įkrovimo metu. Draudžiama laikyti akumuliatorių aukštoje temperatūroje (tiesioginiuose saulės spinduliuose, arti kaitintuvų bei kitose vietose, kur temperatūra viršija 40C laipsnių).*
- c) **Akumuliatorius turi būti įkraunamas 15-25 °C temperatūroje.**
- d) **Naudokite tik gamintoju rekomenduojamą įkroviklį.** *Kito tipo įkroviklio naudojimas sukelia gaisro pavojų.*
- e) **Saugokite akumuliatorių nuo vandens ir drėgmės.**
- f) **Jeigu yra įkraunamas daugiau negu vienas akumuliatorius, būtina padaryti 30 min. pertrauką tarp įkrovimų.**
- g) **Draudžiama atidaryti akumuliatorių.**
- h) **Esant nepalankioms sąlygoms iš akumuliatoriaus gali išbėgti skystis; venkite kontakto su juo.** *Jeigu netyčia įvyks kontaktas su skystis, pažeistą vietą nuplaukite vandeniu. Jeigu skystis pataikė į akis, kreipkitės medicininės pagalbos. Akumuliatoriaus skystis gali sukelti odos sudirginimą ar nudegimą.*
- i) **Kai akumuliatorius nėra naudojamas, laikykite jį atokiau nuo metalinių daiktų, tokių kaip: sąvaržėlės, monetos, raktai, vynai, sraigtai arba kiti metaliniai daiktai, kurie gali būti trumpojo sujungimo su akumuliatoriaus gnybtais priežastimi.** *Trumpasis sujungimas gali būti nudegimų arba gaisro priežastimi.*

- j) **Draudžiama įmesti akumulatorius į ugnį.**
 k) **Draudžiama įkrauti pažeistą akumulatorių.**



Akumuliatorių įkraunamų daug kartų sudėtyje yra ličio, kuris yra kenksmingas aplinkai. Sunaudotus akumulatorius būtina utilizuoti atitinkamai aplinkos apsaugos reikalavimams. Tokiu atveju visiškai iškraukite akumulatorių, išimkite iš elektros prietaiso ir nuneškite į akumuliatorių utilizavimo tašką arba pridukokite parduotuviųje, kurioje buvo nupirktas.

Įkroviklio naudojimas:

- a) **Įkrovimui naudokite tik gamintojų rekomenduojamą įkroviklį. Kito tipo įkroviklio naudojimas sukelia gaisro pavojų.**
 b) **Draudžiama atidaryti arba atsukti įkroviklį.**
 c) **Įkroviklis skirtas naudojimui tik patalpose. Saugokite jį nuo vandens ir drėgmės poveikio.**
 d) **Kraukite temperatūroje nuo 15 iki 25 laipsnių.**
 e) **Negalima įdėti jokių metalinių elementų į įkrovimo agregatą.**

GRĘŽTUVO-SUKTUVO PASKIRTIS IR SANDARA:

Akumulatorinis gręžtuvas-suktuvys yra skirtas varžtams sukėti bei gręžti skylės medienoje, pliene, sintetinėse medžiagose ir pan.

Gręžtuvas-suktuvys yra skirtas tik mėgėjiškiems darbams. **Draudžiama naudoti prietaisą darbams reikalaujanties profesionalių prietaiso panaudojimo.**

Kiekvienas elektros prietaiso panaudojimas ne pagal paskirtį sukelia garantijos praradimą bei gamintojas tokiu atveju nėra atsakingas už patirtas žalas.

Bet kokios prietaiso modifikacijos padarytos naudotoju atleidžia gamintoją nuo atsakomybės už žalas patirtas tokiu atveju naudotoju bei aplinkiniams.

Nepaisant tinkamo prietaiso naudojimo negalima visiškai išvengti rizikos. Galimi rizikos atvejai:

- besisukančio darbo įrankio lietimasis ranka arba rūbais, kontaktas su maitinimo laidu.
- apsišūtinimas keičiant darbo įrankį. (Darbo metu darbo įrankis labai įkaista ir tam, kad išvengti apsišūtinimo jo keitimo metu būtina naudoti apsaugines pirštines).
- apdorojamos medžiagos arba jos dalies atmetimas;
- darbo įrankio iškreivimas / lūžis.

■ Komplektavimas

- Akumulatorinis gręžtuvas-suktuvys - 1 vnt.
- Akumulatorius - 1 vnt.
- Įkroviklis - 1 vnt.
- Garantinis lapas - 1 vnt.
- Naudojimo instrukcija - 1 vnt.

■ Prietaiso elementai (žiūrėkite p. 2)

- Pav. A**
1. Greitai užveržiamas gręžimo patronas (griebtas)
 2. Sankabos reguliavimo rankenėlė
 3. Darbo režimo pakeitimo rankenėlė
 4. Eigos jungiklis
 5. Apsukimų krypties jungiklis
 6. Akumuliatoriaus įkrovimo lygio indikatorius
 7. Rankena
 8. Įjungimo / Išjungimo mygtukas
 9. Papildomas apšvietimas

Pav. B 10. Akumulatorius

11. Akumuliatoriaus blokavimo mygtukai

Pav. C 12. Įkroviklis

Pav. F 13. Sankabos ir darbo režimo nustatymo žymeklis

Pav. G 14. Montavimo varžtas (kairysis)

15. Verpstė

TECHNINIAI DUOMENYS:

MODELIS	VZV12
Maitinimo įtampa	DC 12 V
Apsukimų greitis be apkrovos	0-350/0-1300 min ⁻¹
Maks. sukimo momentas	25 Nm
Griebtuvo kumštelių praskėtimo ribos	∅ 0,8-10 mm
Svoris (su akumuliatoriumi)	1,02 kg
Akustinio slėgio lygis (LpA)	76,3 dB(A)
Akustinio pajėgumo lygis (LwA)	87,3 dB(A)
Matavimo paklaida KpA, KwA	3 dB(A)
Vibracijos lygis pagal EN 62841-2-1 normą (matavimo paklaida K=1,5 m/s ²)	a _{h0} = 1,44 m/s ²
Akumuliatoriaus tipas	Li-ion
Maitinimo įtampa	12V
Akumuliatoriaus talpa	1300mAh
Įkroviklis	
Maitinimo įtampa	100-240 V
Tinklo dažnis	50/60 Hz
Išėjimo įtampa (DC)	22V/0,5A
Įkrovimo laikas	3 h

Pateiktas virpesių lygis yra reprezentatyvus pagrindiniams prietaiso panaudojimams. Jeigu elektros prietaisais bus panaudotas kitiems tikslams arba su kitais papildomais darbo įrankiais bei jeigu nebus tinkamai prižiūrimas, virpesių lygis gali skirtis.

Pateiktos aukščiau priežastys gali padidinti vibracijų lygį darbo metu. Būtina panaudoti papildomas priemones, saugančias naudotoją nuo vibracijų pasekmių, pav.: prietaiso ir darbo įrankių priežiūra, veiksmų eilės nustatymas.

Deklaruotos bendros vibracijos ir triukšmo vertės išmatuotos, taikant standartinį bandomo metodą, ir gali būti naudojamos įrankių lyginimui.

Deklaruotos bendros vibracijos ir triukšmo vertės gali būti naudojamos pradiniam poveikio vertinimui.

Įspėjimai:

Vibracija ir triukšmas elektros įrankio naudojimo metu gali skirtis nuo deklaruojamos vertės, kadangi tai priklauso nuo įrankio naudojimo būdo ir apdirbamo objekto.

Būtina apibrėžti operatoriaus darbo saugos priemones. Jos turi remtis poveikio vertinimu realioje įrankio naudojimo situacijoje (atsižvelgiant į visas darbo ciklo dalis: laiką, kuomet įrankis yra išjungtas ir kuomet veikia tuščia eiga, išskyrus įjungimo laiką).

PRIEŠ PRADEDANT DARBĄ:

■ Akumuliatoriaus įkrovimas

Suktuvys parduodamas su dalinai įkrautu akumuliatoriumi. Prieš naudojant, būtina įkrauti akumuliatorių iki pilno įkrovimo. Pirmas krovimas – ne mažiau nei 3 valandų.

1. Paspauskite akumulatoriaus fiksavimo mygtuką (11) ir išimkite akumuliatorių (10) iš gręžtuvo-suktuvo (žr. pav. B).
2. Prijunkite akumuliatorių (10) prie įkroviklio (12) (žr. pav. C).
3. Įjunkite įkroviklį į elektros lizdą 100–240V, 50/60Hz.

■ Akumulatoriaus įkrovimo rodyklė

Ant įkroviklio šviečianti žalia LED lemputė reiškia, kad įkroviklis yra įjungtas į elektros maitinimo šaltinį. Prijungus akumuliatorių, pradeda šviesti raudona lemputė, kuri informuoja apie įkrovimo procesą.

Kuomet akumulatorius bus visiškai įkrautas, užges raudona lemputė, o užsidegs žalia.

Įkrovimo metu maitinimo srovė automatiškai mažėja. Po maždaug 3 valandų maitinimo srovė stabilizuojasi ties minimaliu lygiu (palaikantis įkrovimas), dėl ko akumulatorius negali būti perkrautas ir pažeistas.

Kai įkrovimas baigtas, išjunkite įkroviklį ir išimkite akumuliatorių.

Ličio jonų akumuliatorių galima įkrauti bet kuriuo metu ir baterijos naudojimo laikas nesutrumpėja. Taip pat dėl įkrovimo proceso nutraukimo akumulatoriui negresia gedimas.

DARBAS:

■ Įjungimas/išjungimas

Užmontuotas jungiklis (8) leidžia tolygiai reguliuoti apskimų greitį. Norėdami įjungti prietaisą, paspauskite paleidimo jungiklį. Apsukimų greitį galima didinti stipriau paspaudžiant jungiklį. Norėdami sustabdyti elektros įrankį, atlaisvinkite jungiklį.

■ Akumulatoriaus įkrovos lygio indikatorius

Akumulatoriaus įkrovos lygio indikatorius (6) signalizuoja baterijos įkrovos lygį, naudodamas trijų spalvotus LED diodus.

Visi LED diodai šviečia:

Akumulatorius pilnai įkrautas.

Šviečia geltonas ir raudonas LED diodas:

Akumuliatorių įkrautas pakankamai.

Šviečiatik raudinas LED diodas:

Akumulatorius išsikrovė, būtina įjį krauti.

■ Apsukimų krypties pasirinkimas (žr. pav. E)

Gręžtuvas-suktuvas gali dirbti pagal laikrodžio rodyklės (dešinėje apskimai) arba priešingai laikrodžio rodyklems (kairėje apskimai):

- norėdami pasirinkti apskimus į dešinę, pastumkite krypties apskimo jungiklį (5) į kairę (žiūrint iš galo),
- norėdami pasirinkti apskimus į kairę, pastumkite krypties apskimo jungiklį (5) į dešinę (žiūrint iš galo).

Kai krypties apskimo jungiklis yra viduryje, jungiklis yra užblokuotas.

Atliekant gręžimą arba įsukant varžtus nustatykite dešininius apskimus. Jeigu norite ištraukti įstrigusį grąžtą arba išsukti varžtus, nustatykite kairiusius apskimus.

■ Apsukimų momento pasirinkimas (žr. pav. F)

Suktuvas turi sankabos reguliavimo rankenėlę (2), leidžianti nustatyti apskimų momentą įsukant varžtus. Rankenėlės žiede pažymėtos 18 pozicijų, nuo 1 iki 18.

Kai parenkama vieną iš pozicijų (nuo 1 iki 18), nustatomas atitinkamas sankabos apskimų momentas. Leidžia tai išvengti pernelyg viltaus varžtų įsukimo, saugo varžtus nuo sugadinimo. Įvairiems varžtams ir įvairioms medžiagoms naudojami skirtingi apskimų momentai.

Visada pradėkite su nedideliu apskimo momento ir didinkite jį

palaipsniui, kol pasieksite patenkinamą rezultatą.

Norėdami gręžti metale, medienoje ir sintetinėse medžiagose rankenėlę (2) nustatykite taip, kad žymeklis (13) atitiktų 18 padėtį.

■ Darbo režimo pasirinkimas



DĖMESIO!

Darbo režimą galite keisti, tik išjungę elektros įrankį! Priešingu atveju elektros įrankį galite sugadinti.

Darbo režimo keitimo rankenėlę (3) galite pasirinkti elektros įrankio darbo režimą.

Norėdami pakeisti darbo režimą, darbo režimo rankenėlę nustatykite į norimą padėtį (išgirsite spragtelėjimą).

Gręžimas:

Rankenėlę (3) nustatykite ties simboliu .

Įsukimas:

Rankenėlę (3) nustatykite ties simboliu .

■ Eigos keitimas

Eigos jungiklio (4) dėka galite pasirinkti 2 apskimų greičius.

Eiga I: Naudokitee gręžimui.

Eiga II: Naudokite varžtų užskimui ir išsukimui.

DĖMESIO: Eigos jungiklio (4) padėties negalima keisti darbo metu, nes gali gesti jo pavara. Eiga galima keisti tik po to, kai įrankis visiškai sustojo ir nebesisuka.

Jeigu eigos keitiklio negalima pastumti iki galo, būtina pasukti varomąjį verpstą.

■ Patrono keitimas (žr. pav. G)

1. Atjunkite akumuliatorių (10) nuo gręžtuvo.

2. Maksimaliai atsukite patroną (1).

3. Suktuvu PH 2 (Philips Nr. 2) pagal laikrodžio rodyklės atsukite patrono montavimo varžtą (14) (DĖMESIO! Kairysis varžtas). Įstrigusį varžtą galima atlaisvinti lengvais smūgiais į jo galvutę.

4. Prilaikykite patrono žiedą ir atsukite patroną, sukant prieš laikrodžio rodyklės (nuo patrono pusės).

DĖMESIO: Jeigu užstrigo gręžimo patronas (1), atlaisvinkite jį montuojant trumpesnėje imbusinio raktos pusėje ir trenkite į ilgesnį imbusinio raktos pusę (žiūrėkite pav. D).

5. Patroną uždekite ant verpsto pagal laikrodžio rodyklės ir užsukite montavimo varžtą, naudokite suktauvą PH 2 (Philips Nr. 2); sukite jį prieš laikrodžio rodyklės. Kad patronas nesisuktų įsukant suveržimo varžtą, reikia palaikyti griebtuvą už žiedo.

■ Papildomas apšvietimas

• Suktuvas įrengtas gręžimo/sukimo vietos pagalbinio apšvietimu (9), kuris įjungiamas nuspaudus jungiklį (8).

■ Darbo įrankių keitimas

DĖMESIO: Atjunkite akumuliatorių nuo gręžtuvo ir nustatykite apskimų krypties jungiklį (5) vidurinėje pozicijoje tam, kad neprileisti prie atsitiktinio prietaiso įjungimo, kas gali būti kūno sužalojimo priežastimi.

Kai jungiklis (8) atlaisvinamas, blokuojamas gręžtuvo velenas. Leidžia tai greitai ir patogiai pakeisti darbo įrankį gręžtuvo griebtuve. Norėdami išimti grąžtą (arba darbo įrankio antgalį) iš griebtuvo sukite griebtuvo žiedą į kairę (sukant į kairę didėja griebtuvo anga). Norėdami įdėti grąžtą (arba darbo įrankio antgalį) į griebtuvą sukite griebtuvo žiedą į dešinę (sukant į dešinę grąžtas užspaudžiamas griebtuve).

Grąžtą (arba kitą darbo antgalį) reikia įdėti į griebtuvą iki galo.

■ Skylių grėžimas

1. Jeigu anga turi būti gyli, gręžkite ją etapais. Iš karto išgręžkite tam tikrą gyli ir išimkite grąžtą tam, kad išeitų drožlės ir vėl tęskite gręžimą.
2. Jeigu yra gręžiama didelio skersmens angą, rekomenduojama pradėti nuo mažesnio skersmens ir didinti jį. Tokiu būdu gręžtuvas nebus perkrautas.
3. Jeigu gręžimo metu grąžtas įstringa, nedelsiant išjunkite prietaisą. Po to naudodami apšukimų krypties keitimo funkciją išimkite grąžtą iš angos.
4. Gręžtuvą laikykite gręžiamos angos ašyje. Grąžtas turi būti laikomas stačiu kampu apdorojamos medžiagos atžvilgiu. Jeigu kampas nėra stačias, grąžtas gali užstrigti arba lūžti angoje bei sužaloti naudotoją. Verpsto rotacinio greičio reguliavimas atliekamas nuspaudžiant jungiklį tinkama jėga.

■ Varžtų įsukimas

Vietoje, kurioje turi būti įsuktas varžtas iš pradžių rekomenduojama išgręžti angą, kurios skersmuo yra mažesnis negu varžto, o ilgis truputi didesnis. Jeigu varžtas yra arti medžiagos krašto, angos gręžimas saugo nuo atplaišų susidarymo.

Jeigu yra sunku įsukti varžtą į pageidaujama gyli, tai išsukite varžtą ir pagilinkite angą.

Jeigu ir toliau yra sunku įsukti varžtą (gali būti kietos medienos atvejais), pabandykite panaudoti tepimo medžiagą (pav. skystą muilą). Būtina spausti sukutuvą su tam tikrą jėgą tam, kad sukutvas nesisuktų varžto galvutės atžvilgiu. Naudokite sukutvų antgalius tinkamos varžtų dydžiui. Jeigu varžto galvutės gedimas gali apsunkinti varžto įsukimą arba išsukimą.

LAIKYMASI PRIEŽIŪRA:

Prietaisas beveik nereikalauja specialios priežiūros. Gręžtuvą laikykite nepasiekiamoje vaikams, švarioje vietoje, saugokite nuo drėgmės bei dulkių. Laikymo sąlygos turi užtikrinti saugumą nuo mechaninių pažeidimų bei oro sąlygų poveikio.

DĖMESIO: Atliekant valymo bei remonto darbus visada atjunkite akumuliatorių nuo prietaiso ir išimkite įkrautuvo kištuką iš elektros lizdo.

Įkroviklį valykite tik sausu skudurėliu.

Reguliariai valykite ventiliacines angas, naudojant tam sausą šepetėlį arba žemo slėgio suslėgtą orą.

Prietaiso korpusą reguliariai valykite drėgnu skudurėliu su muilu. Draudžiama naudoti valymo priemonės arba tirpiklius, nes gali jie pažeisti prietaiso dalis pagamintas iš sintetinių medžiagų. Į prietaiso vidų negali patekti vanduo. Po valymo palaukite kol sukutvas bus visiškai sausas.

TRANSPORTAS:

Elektros prietaisą transportuokite ir laikykite specialiai tam skirtose dėžėse, saugančioje nuo drėgmės, dulkių ir smulkių objektų įsisukverbimo, ypač saugokite ventiliacines angas. Smulkūs elementai, patenkantis į korpusą gali pažeisti variklį.

APLINKOS APSAUGA:



DĖMESIO: Pateiktas simbolis reiškia, kad panaudotus prietaisus draudžiama išmesti kartu su kitomis atliekomis (už pažeidimą gresia pinigine bausmė). Panaudoti elektros prietaisai bei elektroninės dalys ir komponentai turi neigiamą poveikį aplinkai ir žmonių sveikatai.

Namų ūkis turėtų prisidėti prie panaudotos įrangos utilizavimo bei pakartotino medžiagų panaudojimo (perdirbimo). Lenkijoje ir Europoje yra kuriama arba jau veikia panaudotos įrangos surinkimo sistema. Todėl visi paminėtos įrangos pardavimo tškai yra įpareigoti priimti panaudotą įrangą. Be to yra specialūs panaudotos įrangos priėmimo tškai.

PIKTOGRAMAI:

Paveikslėlių esančių prietaiso firminėje lentelėje ir informaciniuose lipdukuose paaiškinimas:



«Prieš įjungdami perskaitykite naudojimo instrukciją!»



«Visada dėvėkite apsauginius akinius!»



«Naudokite apsaugines pirštines!»



«Naudokite klausos apsaugos priemones!»



«Naudokite dulkių kaukę!»



«Akumuliatorius turi būti saugomas nuo aukštos temperatūros, pvz. nuo pastovaus saulės spindulių poveikio.»



«Nejmeskite akumuliatorių į ugnį.»



«Nejmeskite akumuliatorių į vandenį.»

GAMINTOJAS:

PROFIX Sp. z o.o.;

Marywilka 34, 03-228 Varšuva, Lenkija

Šis prietaisas atitinka šalies bei Europos reikalavimus bei visus saugos reikalavimus.

Prietaiso remontą gali atlikti tik kvalifikuotas personalas, naudojant tik originalias atsargines dalis.

TIPIŠKI GEDIMAI IR JŲ ŠALINIMAS:

PROBLEMA	SPĖJAMA PRIEŽASTIS	PROBLEMOS SPRENDIMAS
Gręžtuvas-suktuvas neveikia.	Elektros maitinimo stoka, gedo variklis arba paleidimo jungiklis.	Patikrinti baterijos būklę bei jeigu reikia, pakeisti ją. Jeigu elektros prietaisas toliau neveikia, nuvežkite jį į techninio aptarnavimo servisą (adresą nurodytas garantiniame lape).
Variklis blogai veikia.	Išsikrovę baterija.	Įkrauti bateriją.
	Anglies šepetėliai susidėvėjo.	Pakeisti anglies šepetėlius serviso punkte.



PROFIX įmonė siekia tobulinti savo produktus, todėl gali keistis produktų specifikacijos. Apie šiuos pasikeitimus įmonė nėra įpareigota nepranešti. Paveikslėliai esantis aptarnavimo instrukcijoje tai tik pavyzdžiai bei gali skirtis nuo nusipirkto prietaiso.

Ši instrukcija yra apsaugojama autoriaus teise. Kopijavimas/plėtojimas be PROFIX Sp. z o.o. leidimo raštu draudžiamas.

DT-C2/d_zg/0391

Łomna Las: 2021.04.30

(EN) EC/EU DECLARATION OF CONFORMITY
(PL) DEKLARACJA ZGODNOŚCI WE/UE
(RO) DECLARAȚIE DE CONFORMITATE CE/UE

(LV) EK/ES ATBILSTĪBAS DEKLARĀCIJA
(LT) EB/ES ATITIKTIES DEKLARACIJA
(CS) ES/EU PROHLÁŠENÍ O SHODĚ

(HU) EK/EU-MEGFELELŐSÉGI NYILATKOZATA

(EN) MANUFACTURER	(PL) PRODUCENT	(RO) PRODUCĂTOR	(LV) RAŽOTĀJS	(LT) GAMINTOJAS	(CS) VÝROBCE	(HU) GYÁRTÓ
----------------------	-------------------	--------------------	------------------	--------------------	-----------------	----------------

PROFIX Sp. z o.o. ul. Marywilska 34, 03-228 Warszawa

(EN) Person who was authorized to develop technical documentation: (LT) Asmuo įgaliojotas parengti techninę dokumentaciją;
(PL) Osoba upoważniona do przygotowania dokumentacji technicznej: (CS) Osoba oprávněna připravit technickou dokumentaci;
(RO) Persoana împuternicită pentru pregătirea documentației tehnice: (HU) Műszaki dokumentáció elkészítésére meghatalmazott személy;
(LV) Persona atbildīga par tehnikās dokumentācijas sagatavošanu:

Mariusz Rotuski, Centrum Dystrybucyjno-Handlowe PROFIX, ul. Dobra 3, Łomna Las, 05-152 Czoszów

(EN) Cordless Drill/Screwdriver (PL) Wiertarko - wkrętarka akumulatorowa (RO) Mașină de găurit și șuruburcat cu acumulator (LV) Akumulatora urbjmašīna – skrūvēgrēzijs (LT) Akumulatorinis gręžtuvas-suktuvas (CS) Akumulátorový vrtací šroubovák (HU) Akkumulátoros fűró- és csavarozógép

VULCAN concept VZV12

DF-12-020

12 V d.c.; n_e: 0-350/0-1300/min; ø 10

S2104 -...- S2421

(EN) The object of the declaration described above is in conformity with the relevant Union harmonisation legislation: (PL) Wymieniony powyżej przedmiot niniejszej deklaracji jest zgodny z odnośnymi wymaganiami unij nego prawodawstwa harmonizacyjnego: (RO) Obiectul declarației descris mai sus este în conformitate cu legislația relevantă de armonizare a Uniunii: (LV) Iepriekš aprakstītais deklarācijas priekšmets atbilst attiecīgajam Savienības saskaņošanas tiesību aktam (LT) Pirmiau aprašytas deklaracijos objektas atitinka susijusių derinamuo sius Sąjungos teisės aktus: (CS) Výše popsaný předmět prohlášení je ve shodě s příslušnými harmonizačními právními předpisy Unie: (HU) A fent ismertetett nyilatkozat tárgya megfelel a vonatkozó uniós harmonizációs jogszabálynak:

(EN) 2006/42/EC (OJ L 157, 9.6.2006, p. 24–86); 2014/30/EU (OJ L 96, 29.3.2014, p. 79–106); 2011/65/EU of the European Parliament and of the Council of 8 June 2011 on the restriction of the use of certain hazardous substances in electrical and electronic equipment (OJ L 174, 1.7.2011, p. 88–110) change 2015/863/UE;
(PL) 2006/42/WE (Dz.U. L 157 z 9.6.2006, str. 24–86); 2014/30/UE (Dz.U. L 96 z 29.3.2014, str. 79–106); 2011/65/UE z dnia 8 czerwca 2011 r. w sprawie ograniczenia stosowania niektórych niebezpiecznych substancji w sprzęcie elektrycznym i elektronicznym (Dz.U. L 174 z 1.7.2011, str. 88–110) zmiana 2015/863/UE;
(RO) 2006/42/CE (JO L 157, 9.6.2006, p. 24–86); 2014/30/UE (JO L 96, 29.3.2014, p. 79–106); 2011/65/UE a Parlamentului European și a Consiliului din 8 iunie 2011 privind restricțiile de utilizare a anumitor substanțe periculoase în echipamentele electrice și electronice (JO L 174, 1.7.2011, p. 88–110) schimbare 2015/863/UE;
(LV) 2006/42/EK (OV L 157, 9.6.2006., 24./86. lpp.); 2014/30/ES (OV L 96, 29.3.2014., 79./106. lpp.); 2011/65/ES (2011. gada 8. jūnijs) par dažu bīstamu vielu izmantošanas ierobežošanu elektriskās un elektroniskās iekārtās (OV L 174, 1.7.2011., 88./110. lpp.) maina 2015/863/UE;
(LT) 2006/42/EB (OL L 157, 2006 6 9, p. 24–86); 2014/30/ES (OL L 96, 2014 3 29, p. 79–106); 2011/65/UE 2011 m. birželio 8 d. dėl tam tikrų pavojingų medžiagų naudojimo elektros ir elektroninėje įrangoje apribojimo (OL L 174, 2011 7 1, p. 88–110), pakeičius 2015/863/UE;
(CS) 2006/42/ES (Úř. věst. L 157, 9.6.2006, s. 24–86); 2014/30/UE (Úř. věst. L 96, 29.3.2014, s. 79–106); 2011/65/UE ze dne 8. června 2011 o omezení používání některých nebezpečných látek v elektrických a elektronických zařízeních (Úř. věst. L 174, 1.7.2011, s. 88–110) změna 2015/863/UE
(HU) 2006/42/EK (HL L 157, 2006.6.9., 24–86. o.); 2014/30/UE (HL L 96., 2014.3.29., 79–106. o.); 2011/65/EK irányelve (2011. június 8.) egyes veszélyes anyagok elektromos és elektronikus berendezésekben való alkalmazásának korlátozásáról (HL L 174., 2011.7.1., 88–110. o.) változás 2015/863/UE;

(EN) and have been manufactured in accordance with the standards:
(PL) oraz został(y) wyprodukowany(e) zgodnie z normą(ami):
(RO) și au fost produse conform normelor:
(LV) un tika izgatavoti atbilstoši normām:

(LT) bei yra pagamintas pagal normas:
(CS) a byla(y) vyrobená(y) podle normy(em):
(HU) és gyártása(uk) az alábbi szabvány(ok)nak megfelelően történt:

EN 62841-1:2015 IEC 62841-2-1:2018

EN 55014-1:2017 EN 55014-2:2015

IEC 62321-3-1:2013 IEC 62321-7-1:2017 IEC 62321-6:2015 IEC 62321-4:2013+A1:2017 IEC 62321-5:2013 IEC 62321-8:2017

Mariusz Rotuski

Předseda představenstva ds. Certifikací
Representative of the Board for Certification

(EN) This declaration of conformity is issued under the sole responsibility of the manufacturer. (PL) Niniejsza deklaracja zgodności wydana zostaje na wyłączną odpowiedzialność producenta. (RO) Prezenta declarație de conformitate este emisă pe răspunderea exclusivă a producătorului. (LV) Šī atbilstības deklarācija ir izdota vienīgi uz šāda ražotāja atbildību. (LT) Ši atitikties deklaracija išduota tik gamintojo atsakomybe. (CS) Toto prohlášení o shodě vydal na vlastní odpovědnost výrobce. (HU) E megfelelőségi nyilatkozat a gyártó kizárólagos felelősségére kerül kibocsátásra.